

# SF60 HD IP series

## Fixed camera station



## Overview

The Oxalis SF60 is a fixed camera housing for use in onshore, offshore, marine and heavy industrial environments.

The camera housings are designed for longevity in harsh environments with minimal maintenance.

The large format housing allows the installation of custom specified camera, lens and transmission equipment subject to physical fit and acceptance.

## Features

- Electro-polished 316L stainless steel on all welded assemblies
- Pole or Wall mounting options (see separate datasheets)
- Supply Voltage Options (24 VAC, 110 or 230 VAC, 50/60Hz)
- Operating temperature from -60°C to +70°C\*
- IP66/67

\*Model dependent

## Specifications

Features	
<b>Sun shield</b>	Standard stainless steel 316L mirror finish
<b>Integral wiper</b>	Optional (silicone wiper blades that are resistant and do not perish after long exposure to ozone, UV, ice, snow, heat or cold)
<b>Integral demister</b>	Standard
<b>Washer systems</b>	Compatible with Oxalis SW washer tanks (see separate datasheets)
<b>Telemetry receiver</b>	Integral - Pelco D
<b>IP direct fibre out</b>	Optional media converter, Simplex/Duplex Singlemode 9/125µm or Multimode 50/125µm, 10/100Mb Ethernet, IEEE 802.3
<b>IP over coax</b>	Optional integrated IP ethernet-over-coax converter (must be used with compatible Rx equipment)
Electrical	
<b>Supply voltage options</b>	24 VAC, 110 or 230 VAC, 50/60Hz
<b>Power consumption</b>	37W Maximum (65W with low temperature operation)
<b>Electrical connections</b>	Terminal block for power, data and video specific to camera configuration
<b>Cable entry</b>	Two M20 entries located in housing rear flange
Mechanical	
<b>Body material</b>	Electro-polished 316L stainless steel on all welded assemblies
<b>Fixings material</b>	A4 stainless steel
<b>Camera station window</b>	Toughened glass
<b>Mounting options</b>	Pole or wall (see separate datasheets)
<b>Operating temperature</b>	From -60° C to +70° C (model dependent)
<b>Weight (Kg)</b>	Up to 13Kg depending on configuration
<b>Type approval</b>	DNVGL-CG-0339, 2016 (copper transmission only)
<b>Ingress protection rating</b>	IP66/67

## Camera options

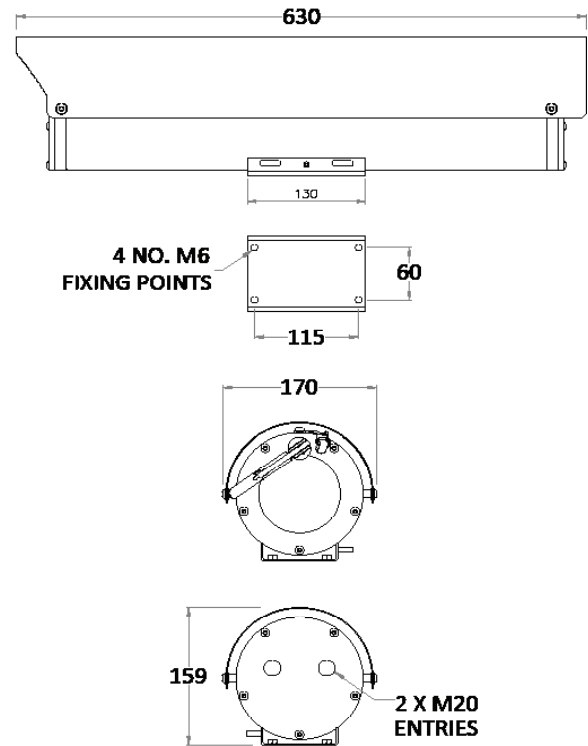
### 32x XNZ-6320 HD IP camera

<b>Image sensor</b>	Progressive scan CMOS 1/2.8"
<b>Resolution</b>	Resolution: 1920x1080 @60fps to 320x240
<b>Lens</b>	32x optical 32x digital zoom 4.44-142.6 mm F1.6 to F4.4, horizontal angle of view 61.8° - 2.19°
<b>Min. illumination</b>	Colour : 0.05Lux (1/30sec, F1.6), B/W : 0.005Lux (1/30sec, F1.6)
<b>Streaming</b>	H.264, H.265, MJPEG codec, multiple streaming, VBR/CBR
<b>Features</b>	Intelligent video analytics, motion detection, day & night (ICR), WDR (150dB), auto focus, auto Iris, AGC, SSSDR, ATW, SSNR5, BLC, DIS, Defog
<b>Standards protocols</b>	ONVIF Profile S, TCP/IP, UDP/IP, RTP(UDP), RTP(TCP), RTCP, RTSP, NTP, HTTP, HTTPS, SSL, DHCP, PPPoE, FTP, SMTp, ICMP, IGMP, SNMPv1/v2c/v3(MIB-2), ARP, DNS, DDNS, QoS, PIM-SM, UPnP, Bonjour

### 30x zoom 2.1MP network camera

<b>Image Sensor</b>	Progressive scan CMOS 1/2.8"
<b>Resolution</b>	1920x1080 30fps
<b>Lens</b>	30x zoom 4.3-129mm F1.6 to F5.05, Angle of View 65.1° - 2.34°, 10X digital zoom, Auto Focus, Auto Iris
<b>Min. Illumination</b>	Color: 0.05Lux @ (F1.6, AGC ON) B/W: 0.01Lux @ (F1.6, AGC ON)
<b>Streaming</b>	Dual streams in H.264 and Motion JPEG, VBR/CBR
<b>Features</b>	BLC, AGC, AWB, WDR, DNR, OSD, Day & Night Auto/Colour / BW (IR-Cut Filter Removable)
<b>Standards Protocols</b>	ONVIF, PSIA, CGI - TCP/IP, HTTP, DHCP, DNS, DDNS, RTP, RTSP, SMTp, NTP, UPnP, SNMP, FTP, 802.1x, QoS, HTTPS, IPv6

## General arrangement drawing (all dimensions in mm)



# Ordering requirements

The following code is designed to help in selection of the correct unit. Build up the reference number by inserting the code for each component into the appropriate box

SF60														
------	--	--	--	--	--	--	--	--	--	--	--	--	--	--

<b>Housing type</b>	<b>Code</b>
Visual camera housing	V

<b>Wiper options</b>	<b>Code</b>
Integral wiper with switched 24VAC for external washer pump	E
No wiper	N

<b>Video type</b>	<b>Code</b>
HD IP system	I

<b>Day/night module</b>	<b>Code</b>
32x zoom HD IP camera	P
30x zoom 2.1MP network camera	M
Customer specific camera	C

<b>Thermal core module</b>	<b>Code</b>
No thermal core	N

<b>Thermal core lens</b>	<b>Code</b>
No thermal imaging lens	N

<b>Video system</b>	<b>Code</b>
IP	I

<b>Transmission type</b>	<b>Code</b>
Standard electrical	0
Simplex singlemode 9/125µm ethernet	3
Simplex multimode 50/125µm ethernet	4
IP over coax	5
Duplex singlemode 9/125µm	6
Duplex Multimode 50/125µm	7
Customer specific fibre transmission device	C

<b>Temperature type</b>	<b>Code</b>
-20°C to +70°C*	A
-40°C to +70°C*	B
-20°C to +60°C	1
-40°C to +60°C	2
-60°C to +40°C	3

\*Subject to configuration restrictions

<b>Certification</b>	<b>Code</b>
No Ex certification required	N

<b>Protocol requirements</b>	<b>Code</b>
Pelco D protocol, baud rate 2400bps	D

<b>Camera rotation</b>	<b>Code</b>
Not applicable	N

<b>Supply voltage</b>	<b>Code</b>
24 VAC ±10% 50/60 Hz	1
110 VAC ±10% 50/60 Hz	2
230 VAC ±10% 50/60 Hz	3
Special - price on application	S