

SF60 day/night IP hybrid series

Fixed camera station



Overview

The Oxalis SF60 is a fixed camera housing for use in onshore, offshore, marine and heavy industrial environments.

The camera housings are designed for longevity in harsh environments with minimal maintenance.

The large format housing allows the installation of custom specified camera, lens and transmission equipment subject to physical fit and acceptance.

Features

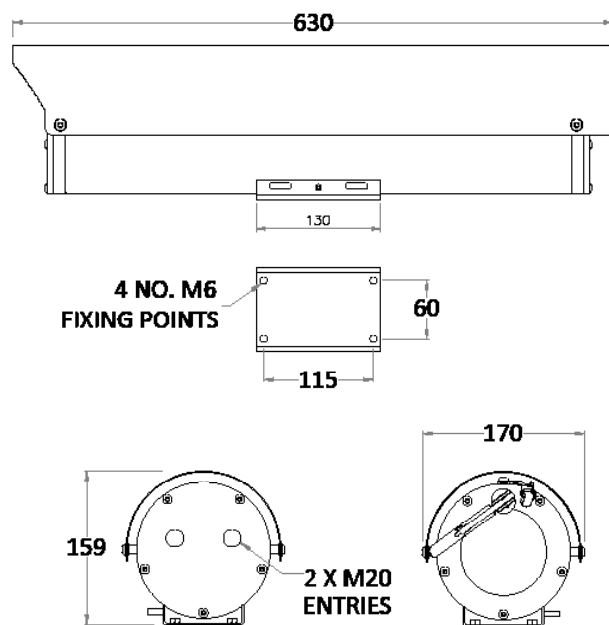
- Electro-polished 316L stainless steel on all welded assemblies
- Pole or wall mounting options (see separate datasheets)
- Supply voltage options (24 VAC, 110 or 230 VAC, 50/60Hz)
- Operating temperature -60°C to +60°C*
- IP66/67

*Model dependent

Specification

Features	
Sun shield	Standard stainless steel 316L mirror finish
Integral wiper	Optional (silicone wiper blades that are resistant and do not perish after long exposure to ozone, UV, ice, snow, heat or cold)
Integral demister	Standard
Washer systems	Compatible with Oxalis SW Washer tanks (see separate datasheets)
Telemetry receiver	Integral - pelco D
Integral IP encoder	Includes integral video encoder, H.264 / M-JPEG/MPEG-4, low latency, triple streaming, D1, 2CIF, CIF and VGA resolution, 25fps (30fps - NTSC) for use with analogue camera modules Optional nonstandard encoder, subject to acceptance, conformity to regulation and testing.
Analogue direct fibre out	Optional media converter, Simplex Singlemode 9/125µm or Multimode 50/125µm, 10/100Mb Ethernet, IEEE 802.3,
IP over coax	Optional integrated IP ethernet-over-coax converter (must be used with compatible Rx equipment)
Electrical	
Supply voltage options	24 VAC, 110 or 230 VAC, 50/60Hz
Power consumption	37W maximum (65W with low temperature operation)
Electrical connections	Terminal block for power, data and video specific to camera configuration
Cable entry	Two M20 entries located in base
Mechanical	
Body material	Electro-polished 316L stainless steel on all welded assemblies
Fixings material	A4 Stainless Steel
Camera station window	Toughened glass
Mounting options	Pole or wall (see separate datasheets)
Operating temperature	From -60°C to +60°C (model dependent)
Weight	Up to 13Kg depending on configuration
Ingress protection rating	IP66/67
Camera options	
1/4" CCD 36x zoom camera	
Image sensor	1/4" EXview HAD CCD (progressive scan)
Resolution	High resolution mode on: 550 TV lines (default)
Lens	36x zoom 3.4-122.4 mm F1.6 to F4.5, horizontal angle of view 57.8° - 1.7°, 12X digital zoom, auto focus, auto iris
Min. illumination	1/60 s, 1/50 s mode: 1.4 Lux, 1/4 s, 1/3 s mode: 0.1 Lux, 1/4 s, 1/3 s mode& ICR On: 0.01 Lux
S/N ratio	>50dB
Features	ATW, day & night auto/colour / BW (IR-Cut filter removable), camera title ON/OFF
1/3" CMOS varifocal camera	
Image sensor	1/3" 1.3m CMOS
Resolution	Upto 1000 TV lines
Lens	1/3" CS-M 5.0 - 50.0 mm F1.3 - 360 aspherical varifocal, DC Auto Iris
Min. illumination	Colour : 0.03 Lux (50IRE@F1.2), 0.0003 Lux (1sec F1.2 30IRE) B/W 0.003 Lux (50 IRE@F1.2), 0.000003 Lux (1sec F1.2 30IRE)
S/N ratio	>52dB
Features	WDR 120Db, ATW, SSNRIV, HLC, BLC, SSSDR, DIS, Defog, Day & Night Auto/Colour / BW

General arrangement drawing (all dimensions in mm)



Ordering requirements

The following code is designed to help in selection of the correct unit. Build up the reference number by inserting the code for each component into the appropriate box

