

ST40 HD IP series

PTZ camera station



Overview

The Oxalis ST40 is a PTZ camera station with integral illumination, for use in designated safe areas in onshore, offshore, marine and heavy industrial environments.

The camera stations are designed for longevity in harsh environments with minimal maintenance.

The illuminator has an integrated light sensor for automatic operation and utilises high efficiency IR LEDs for up to 100m range.

Features

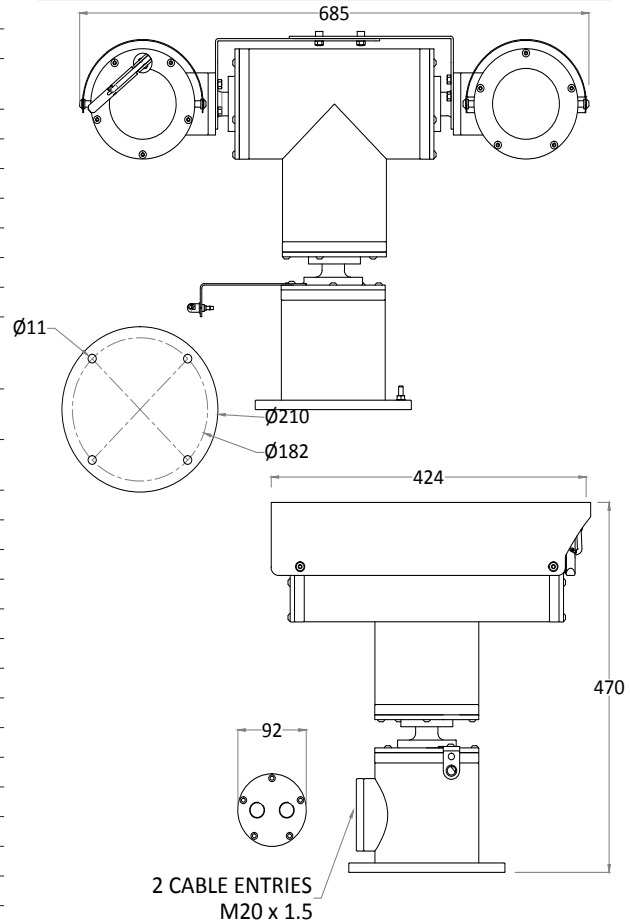
- Electro-polished 316L stainless steel on all welded assemblies
 - Pole or wall mounting options (see separate datasheets)
 - Supply voltage options (24 VAC, 110 or 230 VAC, 50/60Hz)
 - Operating temperature -60°C to +70°C*
 - IP66/67
- *Model dependent

Specification

Features	
Sun shield	Standard stainless steel 316L mirror finish
Integral wiper	Optional (silicone wiper blades that are resistant and do not perish after long exposure to ozone, UV, ice, snow, heat or cold)
Integral demister	Standard
Washer systems	Compatible with Oxalis SW Washer tanks (see separate datasheets)
Pan speed (maximum)	45° per second
Tilt speed (maximum)	24° per second
Pre-set positional accuracy	64 presets: positional accuracy $\pm 0.1^\circ$
Telemetry receiver	Integral - pelco D
Rotation	Continuous pan or 350° rotation (+/- 175° from straight ahead)
Integral illumination	IR nano-stack LED technology, internally powered from camera station, range up to 100m (depending on camera), 12° angle, 850nm wavelength. Auto switching from ambient light sensor or auxiliary command
IP direct fibre out	Optional media converter, Simplex Singlemode 9/125 μ m or Multimode 50/125 μ m, 10/100Mb Ethernet, IEEE 802.3
IP over coax	Optional integrated IP ethernet-over-coax converter (must be used with compatible Rx equipment)
Electrical	
Supply voltage options	24 VAC, 110 or 230 VAC, 50/60Hz
Power consumption	100W maximum (158W with low temperature operation)
Electrical connections	Terminal block for power, data and video specific to camera configuration
Cable entry	Two M20 entries located in base
Mechanical	
Body material	Electro-polished 316L stainless steel on all welded assemblies
Fixings material	A4 Stainless Steel
Camera station window	Toughened glass
Mounting options	Pole or wall (see separate datasheets)
Operating temperature	From -60°C to +70°C (model dependent)
Weight	Up to 43Kg depending on configuration
Type approval	DNVGLCG-0339, 2016 (copper transmission only)
Ingress protection rating	IP66/67
Camera options	

30x zoom 1080p network camera		20x zoom 1080p network camera	
Image sensor	1/2.8" Exmor CMOS	Image sensor	Progressive scan CMOS 1/2.8"
Resolution	1920x1080 @60fps to 352x240	Resolution	1920x1080 30fps
Lens	30x zoom 4.3-129 mm F1.6 to F4.7, horizontal angle of view 67.7° - 2.3°, 12X digital zoom, auto focus, auto iris	Lens	20x zoom 4.7-94mm F1.6 to F3.5, angle of view 61.4° - 2.9°, 10X digital zoom, auto focus, auto Iris
Min. illumination	Colour ICR-Off: 0.35 Lux (1/30 Sec, 50IRE) 0.05 Lux (1/4 sec, 1/3 sec, 50IRE) B/W ICR-On: 0.013 lx (1/30 sec, 50IRE) 0.002 lx (1/4 sec, 1/3 sec, 30IRE)	Min. illumination	Color: 0.05Lux @ (F1.6, AGC ON) B/W: 0.01Lux @ (F1.6, AGC ON)
Streaming	Primary: H.264, secondary x3: H.264/MJPEG, VBR/CBR	Streaming	Dual streams in H.264 and motion JPEG, VBR/CBR
Features	AGC, AE, AWB, TDN, DNR, BLC, ACCE, DSS, WDR, EIS, defog, OSD	Features	BLC, AGC, AWB, WDR, DNR, OSD, day & night auto/colour / BW (IR-Cut filter removable)
Standards protocols	ONVIF Profile S, PSIA - IPv4/6, TCP, UDP, HTTP, HTTPS, IGMP(Multicast), DHCP, FTP, RTP RTSP, SNMP, SMTP, UPnP, DDNS, WS-Discovery, zero configuration	Standards protocols	ONVIF, PSIA, CGI - TCP/IP, HTTP, DHCP, DNS, DDNS, RTP, RTSP, PPPoE, SMTP, NTP, UPnP, SNMP, FTP, 802.1x, QoS, HTTPS, IPv6
18x Q1765 network camera		32x SNZ-6320 HD IP camera	
Image sensor	Progressive scan RGB CMOS 1/2.9"	Image sensor	Progressive scan CMOS 1/2.8"
Resolution	1920x1080 (HDTV 1080p) to 320x180	Resolution	Resolution: 1920x1080 @60fps to 320x180
Lens	18x zoom 4.7-84.6 mm F1.6 to F2.8, angle of view 59° - 4°, 12X digital zoom, auto focus, auto iris	Lens	32x optical 16x digital zoom 4.44-142.6 mm F1.6 to F4.4, horizontal angle of view 62.8° - 2.23°
Min. illumination	Color: 0.5 lux at 30 IRE F1.6, B/W: 0.04 lux at 30 IRE F1.6	Min. illumination	Colour : 0.3Lux (1/30sec, F1.6, 50IRE), B/W : 0.03Lux (1/30sec, F1.6, 50IRE)
Streaming	Multiple, individually configurable streams in H.264 and motion JPEG, VBR/CBR	Streaming	H.264, MJPEG dual codec, multiple streaming, VBR/CBR
Features	BLC, AGC, AWB, WDR, OSD, day & night auto/colour / BW (IR-Cut filter removable)	Features	Intelligent video analytics, motion detection, day & night (ICR), WDR (120dB), auto focus, auto Iris, AGC, SSSDR, ATW, SSNR III, BLC, DIS, Defog
Standards protocols	ONVIF, IPv4/v6, HTTP, HTTPS, SSL/TLS, QoS Layer 3 DiffServ, FTP, CIFS/SMB, SMTP, Bonjour, UPnP, SNMPv1/v2c/v3 (MIB-II), DNS, DynDNS, NTP, RTSP, RTP, TCP, UDP, IGMP, RTCP, ICMP, DHCP, ARP, SOCKS	Standards protocols	ONVIF Profile S, TCP/IP, UDP/IP, RTP(UDP), RTP(TCP), RTCP, RTSP, NTP, HTTP, HTTPS, SSL, DHCP, FTP, SMTP, ICMP, IGMP, SNMPv1/v2c/v3(MIB-2), ARP, DNS, DDNS, QoS, PIM-SM, UPnP, Bonjour
30x zoom 2.1MP network camera			
Image Sensor	Progressive scan CMOS 1/2.8"		
Resolution	1920x1080 30fps		
Lens	30x zoom 4.3-129mm F1.6 to F5.05, Angle of View 65.1° - 2.34°, 10X digital zoom, Auto Focus, Auto Iris		
Min. Illumination	Color: 0.05Lux @ (F1.6, AGC ON) B/W: 0.01Lux @ (F1.6, AGC ON)		
Streaming	Dual streams in H.264 and Motion JPEG, VBR/CBR		
Features	BLC, AGC, AWB, WDR, DNR, OSD, Day & Night Auto/Colour / BW (IR-Cut Filter Removable)		
Standards Protocols	ONVIF, PSIA, CGI - TCP/IP, HTTP, DHCP, DNS, DDNS, RTP, RTSP, SMTP, NTP, UPnP, SNMP, FTP, 802.1x, QoS, HTTPS, IPv6		

General arrangement drawing (all dimensions in mm)



Ordering requirements

The following code is designed to help in selection of the correct unit. Build up the reference number by inserting the code for each component into the appropriate box

ST40														
------	--	--	--	--	--	--	--	--	--	--	--	--	--	--

Housing type	Code
Visual camera housing	V

Wiper options	Code
Integral wiper with switched 24VAC for external washer pump	E
No wiper	N

Video type	Code
HD IP system	I

Day/night module	Code
30x zoom 1080p network camera	9
18x Q1765 network camera	B
20x zoom 1080p network camera	H
32x zoom HD IP camera	D
30x zoom 2.1MP network camera	M
Customer specific camera	C

Thermal core module	Code
No thermal core	N

Thermal core lens	Code
No thermal imaging lens	N

Video system	Code
IP	I

Supply voltage	Code
24 VAC ±10% 50/60 Hz	1
110 VAC ±10% 50/60 Hz	2
230 VAC ±10% 50/60 Hz	3
Special - price on application	S

Protocol requirements	Code
Pelco D protocol, baud rate 2400bps	D

Camera rotation	Code
Continuous rotation	1
Pan rotation restriction to +/- 175°	2

Certification	Code
No Ex certification required	N

Temperature type	Code
-20°C to +70°C*	A
-40°C to +70°C*	B
-20°C to +60°C	1
-40°C to +60°C	2
-60°C to +40°C	3

*Subject to configuration restrictions

Transmission type	Code
Standard electrical	0
Simplex singlemode 9/125µm ethernet	3
Simplex multimode 50/125µm ethernet	4
IP over coax	5
Customer specific transmission device	C