

# ST40 day/night IP hybrid series

## PTZ camera station



## Overview

The Oxalis ST40 is a PTZ camera station with integral illumination, for use in designated safe areas in onshore, offshore, marine and heavy industrial environments.

The camera stations are designed for longevity in harsh environments with minimal maintenance.

The illuminator has an integrated light sensor for automatic operation and utilises high efficiency IR LEDs for up to 100m range.

## Features

- Electro-polished 316L stainless steel on all welded assemblies
- Pole or wall mounting options (see separate datasheets)
- Supply voltage options (24 VAC, 110 or 230 VAC, 50/60Hz)
- Operating temperature -60°C to +60°C\*
- IP66/67

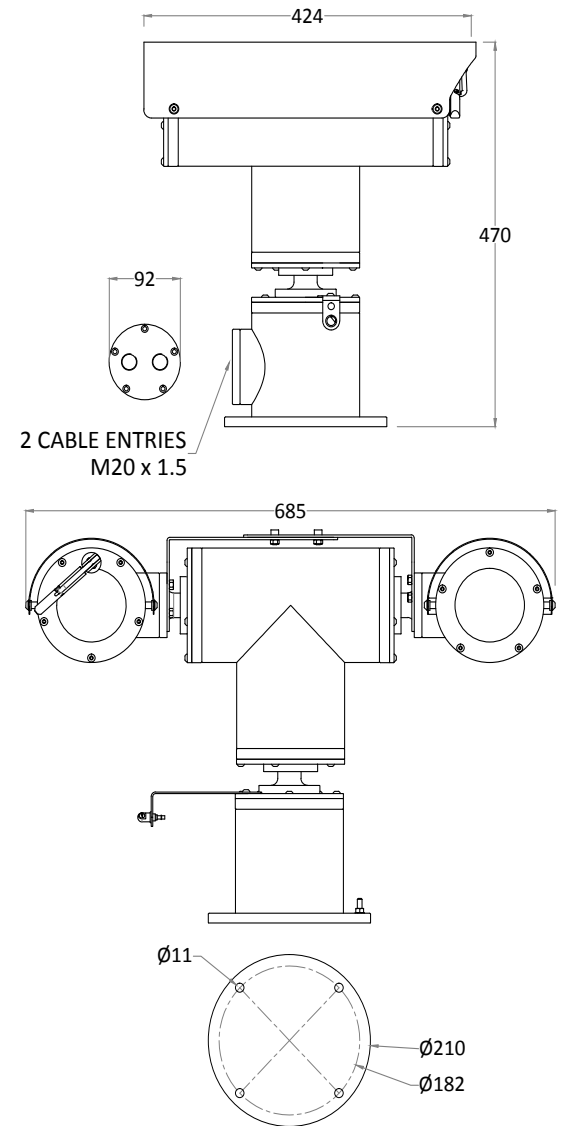
\*Model dependent

## Specification

### Features

<b>Sun shield</b>	Standard stainless steel 316L mirror finish
<b>Integral wiper</b>	Optional (silicone wiper blades that are resistant and do not perish after long exposure to ozone, UV, ice, snow, heat or cold)
<b>Integral demister</b>	Standard
<b>Washer systems</b>	Compatible with Oxalis SW Washer tanks (see separate datasheets)
<b>Pan speed (maximum)</b>	45° per second
<b>Tilt speed (maximum)</b>	24° per second
<b>Pre-set positional accuracy</b>	64 presets: positional accuracy $\pm 0.1^\circ$
<b>Telemetry receiver</b>	Integral - pelco D
<b>Rotation</b>	Continuous pan or 350° rotation (+/- 175° from straight ahead)
<b>Integral illumination</b>	IR nano-stack LED technology, internally powered from camera station, range up to 100m (depending on camera), 12° angle, 850nm wavelength. Auto switching from ambient light sensor or auxiliary command
<b>Integral IP encoder</b>	Includes integral video encoder, H.264 / M-JPEG/MPEG-4, Low Latency, Triple Streaming, D1, 2CIF, CIF and VGA Resolution, 25fps (30fps - NTSC) for use with analogue camera modules Optional nonstandard encoder, subject to acceptance, conformity to regulation and testing.
<b>IP over coax</b>	Optional integrated IP ethernet-over-coax converter (must be used with compatible Rx equipment)
<b>Analogue direct fibre out</b>	Optional singlemode 9/125 $\mu$ m or multimode 50/125 $\mu$ m video and data fibre optic transmission, mounted inside the camera station
<b>Electrical</b>	
<b>Supply voltage options</b>	24 VAC, 110 or 230 VAC, 50/60Hz
<b>Power consumption</b>	100W maximum (158W with low temperature operation)
<b>Electrical connections</b>	Terminal block for power, data and video specific to camera configuration
<b>Cable entry</b>	Two M20 entries located in base
<b>Mechanical</b>	
<b>Body material</b>	Electro-polished 316L stainless steel on all welded assemblies
<b>Fixings material</b>	A4 Stainless Steel
<b>Camera station window</b>	Toughened glass
<b>Mounting options</b>	Pole or wall (see separate datasheets)
<b>Operating temperature</b>	From -60°C to +60°C (model dependent)
<b>Weight</b>	Up to 43Kg depending on configuration
<b>Ingress protection rating</b>	IP66/67
<b>Camera options</b>	
<b>1/4" CCD 36x zoom camera</b>	
<b>Image sensor</b>	1/4" EXview HAD CCD (progressive scan)
<b>Resolution</b>	High resolution mode on: 550 TV lines (default)
<b>Lens</b>	36x zoom 3.4-122.4 mm F1.6 to F4.5, horizontal angle of view 57.8° - 1.7°, 12X digital zoom, auto focus, auto iris
<b>Min. illumination</b>	1/60 s, 1/50 s mode: 1.4 Lux, 1/4 s, 1/3 s mode: 0.1 Lux, 1/4 s, 1/3 s mode & ICR On: 0.01 Lux
<b>S/N ratio</b>	>50dB
<b>Features</b>	ATW, day & night auto/colour / BW (IR-cut filter removable), camera title ON/OFF

## General arrangement drawing (all dimensions in mm)



# Ordering requirements

The following code is designed to help in selection of the correct unit. Build up the reference number by inserting the code for each component into the appropriate box

