

ST40 day/night analogue series

PTZ camera station



Overview

The Oxalis ST40 is a PTZ camera station with integral illumination, for use in designated safe areas in onshore, offshore, marine and heavy industrial environments.

The camera stations are designed for longevity in harsh environments with minimal maintenance.

The illuminator has an integrated light sensor for automatic operation and utilises high efficiency IR LEDs for up to 100m range.

Features

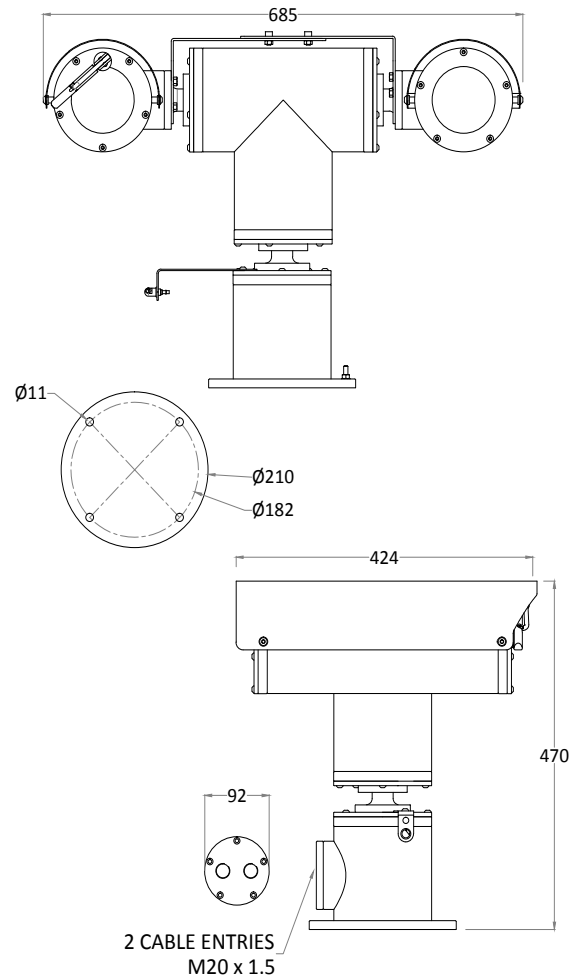
- Electro-polished 316L stainless steel on all welded assemblies
- Pole or wall mounting options (see separate datasheets)
- Supply voltage options(24 VAC, 110 or 230 VAC, 50/60Hz)
- Operating temperature -60°C to +70°C*
- IP66/67

*Model dependent

Specification

Features	
Sun shield	Standard stainless steel 316L mirror finish
Integral wiper	Optional (silicone wiper blades that are resistant and do not perish after long exposure to ozone, UV, ice, snow, heat or cold)
Integral demister	Standard
Washer systems	Compatible with Oxalis SW Washer tanks (see separate datasheets)
Pan speed (maximum)	45° per second
Tilt speed (maximum)	24° per second
Pre-set positional accuracy	64 presets: positional accuracy $\pm 0.1^\circ$
Telemetry receiver	Integral - pelco D, P standard protocols (others to specification)
Rotation	Continuous pan or 350° rotation (+/- 175° from straight ahead)
Integral illumination	IR nano-stack LED technology, internally powered from camera station, range up to 100m (depending on camera), 12° angle, 850nm wavelength. Auto switching from ambient light sensor or auxiliary command
Analogue direct fibre out	Optional singlemode 9/125 μ m or multimode 50/125 μ m video and data fibre optic transmission, mounted inside the camera station
Ingress protection rating	IP66/67
Type approval	DNVGL-CG-0339, 2016 (copper transmission only)
Electrical	
Supply voltage options	24 VAC, 110 or 230 VAC, 50/60Hz
Power consumption	100W maximum (158W with low temperature operation)
Electrical connections	Terminal block for power, data and video specific to camera configuration
Cable entry	Two M20 entries located in base
Mechanical	
Body material	Electro-polished 316L stainless steel on all welded assemblies
Fixings material	A4 Stainless Steel
Camera station window	Toughened glass
Mounting options	Pole or wall (see separate datasheets)
Operating temperature	From -60°C to +70°C (model dependent)
Weight	Up to 34Kg depending on configuration
Camera options	
1/4" CCD 36x zoom camera	
Image sensor	1/4" EXview HAD CCD (progressive scan)
Resolution	High resolution mode on: 550 TV lines (default)
Lens	36x zoom 3.4-122.4 mm F1.6 to F4.5, horizontal angle of view 57.8°- 1.7°, 12X digital zoom, auto focus, auto iris
Min. illumination	1/60 s, 1/50 s mode: 1.4 Lux, 1/4 s, 1/3 s mode: 0.1 Lux, 1/4 s, 1/3 s mode & ICR On: 0.01 Lux
S/N ratio	>50dB
Features	ATW, day & night auto/colour / BW (IR-cut filter removable), camera title ON/OFF

General arrangement drawing (all dimensions in mm)



Ordering requirements

The following code is designed to help in selection of the correct unit. Build up the reference number by inserting the code for each component into the appropriate box

ST40														
------	--	--	--	--	--	--	--	--	--	--	--	--	--	--

Housing type	Code
Visual camera housing	V

Wiper options	Code
Integral wiper with switched 24VAC for external washer pump	E
No wiper	N

Video type	Code
Analogue video	H

Day/night module	Code
1/4" CCD 36x zoom camera	4
Customer specific camera	C

Thermal core module	Code
No thermal core	N

Thermal core lens	Code
No thermal imaging lens	N

Video system	Code
PAL	P
NTSC	N

Supply voltage	Code
24 VAC ±10% 50/60 Hz	1
110 VAC ±10% 50/60 Hz	2
230 VAC ±10% 50/60 Hz	3
Special - price on application	S

Camera rotation	Code
Continuous rotation	1
Pan rotation restriction to +/- 175°	2

Transmission type	Code
Standard electrical	0
Simplex singlemode 9/125µm video/data	1
Simplex multimode 50/125µm video/data	2
Customer specific fibre transmission device	C

Temperature type	Code
-20°C to +70°C*	A
-40°C to +70°C*	B
-20°C to +60°C	1
-40°C to +60°C	2
-60°C to +40°C	3

*Subject to configuration restrictions

Certification	Code
No Ex certification required	N

Protocol requirements	Code
Pelco D protocol, baud rate 2400bps	D
Pelco P protocol, baud rate 4800bps	P
Vicon protocol, baud rate 4800bps	V
HERNIS™ protocol	H
Coe protocol	C
Special - price on application	S