

# XP40 HD IP series

## Explosion proof PTZ camera station



### Overview

The Oxalis XP40 is an explosion protected PTZ camera station for use in hazardous areas in onshore, offshore, marine and heavy industrial environments.

The camera stations are designed for longevity harsh environments with minimal maintenance.

### Features

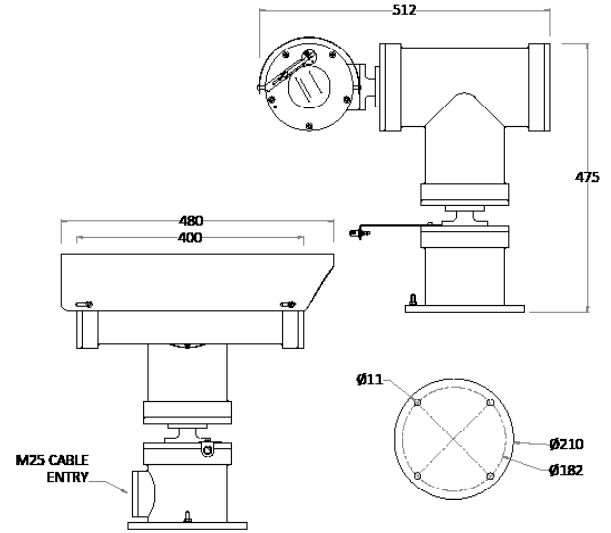
- ATEX, IECEx, Class 1 Division 1 and Zone 1 certified
  - Electro-polished 316L stainless steel finish
  - Camera station window in toughened glass
  - Pole or wall mounting options (see separate datasheets)
  - Supply voltage options (24 VAC, 110 or 230 VAC, 50/60Hz)
  - Operating temperature from -60°C to +70°C\*
  - IP66/67
- \*Model dependent



## Certifications

<b>ATEX</b>	II 2 G Ex db (op pr) IICT T4 Gb -60°C to +70°C II 2 D Ex tb (op pr) IIIC T140°C Db IP6x On Request: T5 -60°C to +65°C, T6 -60°C to +40°C On request: T135 -60°C to +65°C Certificate: ITS16ATEX101021X	<b>cLC CSA</b>	Ex d IICT T4 (T5 On Request) LC1311396 -60°C ≤Ta ≤ +60°C. CAN CSA-C22.2 No.60079-0:2011 & 60079-1-2012 Certificate: 11396-1S-CSA
<b>IECEX</b>	Ex db (op pr) IICT T4 Gb -60°C to +70°C Ex tb (op pr) IIIC T140°C Db IP6x On Request: T5 -60°C to +65°C, T6 -60°C to +40°C On request: T135 -60°C to +65°C Certificate: IECEX ITS 15.0068X	<b>TR CU, EAC</b>	1 Ex db (op pr) IICT T4 Gb -60°C to +70°C Ex tb (op pr) IIIC T140°C Db IP6x On Request: T5 -60°C to +65°C, T6 -60°C to +40°C On request: T135 -60°C to +65°C Certificate: TCRUCGB.ITB04.B00587
<b>INMETRO</b>	Ex db (op pr) IICT T4 Gb -60°C to +70°C Ex tb (op pr) IIIC T140°C Db IP6x On Request: T5 -60°C to +65°C, T6 -60°C to +40°C On request: T135 -60°C to +65°C Certificate: ULBR 17.0063X	<b>CCOE</b>	Ex db (op pr) IICT T4 Gb -60°C to +70°C Ex tb (op pr) IIIC T140°C Db IP6x On Request: T5 -60°C to +65°C, T6 -60°C to +40°C On request: T135 -60°C to +65°C Certificate: P400546/1
<b>LCus CI/ZI</b>	Class 1 Zone 1 A Ex d IICT T4 (T5 On Request) LC13A11396 Gb -60°C ≤Ta ≤ +60°C. UL 60079-0:2009 & 60079-1:2010 Certificate: 11396-1S-UL	<b>CNEX</b>	Ex db (op pr) IICT T4 Gb -60°C to +70°C Ex tb (op pr) IIIC T140°C Db IP6x On Request: T5 -60°C to +65°C, T6 -60°C to +40°C On request: T135 -60°C to +65°C Certificate: 17.1235X
<b>cLCus CI/DI</b>	Class I, Division 1, Groups B, C, D, -60°C ≤Ta ≤ +60°C T4 Class II, Division 1, Groups E, F, G IP67 CSA-C22.2 No:30-M1986 No:25-1966(R2009) CSA-C22.2 No:60065-03(R2012) & UL1203,UL60065(ED.7) Certificate: 11671-1S (Gas) / 11677-1S (Dust)	<b>CERTEX</b>	Ex db (op pr) IICT T4 Gb -60°C to +70°C Ex tb (op pr) IIIC T140°C Db IP6x On Request: T5 -60°C to +65°C, T6 -60°C to +40°C On request: T135 -60°C to +65°C Certificate: S-XLP/170244X

## General arrangement drawing (all dimensions in mm)



## Specifications

<b>Certification part number</b>	P&T 2420-01, housing options 2410-03, 1410-25, 1410-10		
<b>Features</b>		<b>Electrical</b>	
<b>Sun shield</b>	Standard stainless steel 316L mirror finish	<b>Supply voltage options</b>	24 VAC, 110 or 230 VAC, 50/60Hz
<b>Integral wiper</b>	Optional (silicone wiper blades that are resistant and do not perish after long exposure to ozone, UV, ice, snow, heat or cold)	<b>Power consumption</b>	80W maximum (143W with low temperature operation)
<b>Integral demister</b>	Standard	<b>Electrical connections</b>	Terminal block for power, data and video specific to camera configuration
<b>Integral washer pump</b>	Not applicable	<b>Cable entry</b>	Single M25 entry located in base
<b>Washer systems</b>	Compatible with Oxalis XW or XWP washer tanks (see datasheets)	<b>Mechanical</b>	
<b>Pan speed (maximum)</b>	45° per second	<b>Body material</b>	Electro-polished 316L stainless steel on all welded assemblies
<b>Tilt speed (maximum)</b>	24° per second	<b>Fixings material</b>	A4 stainless steel
<b>Pre-set positional accuracy</b>	64 presets: positional accuracy ±0.1°	<b>Camera station window</b>	Toughened glass
<b>Telemetry receiver</b>	Integral - Pelco D, P standard protocols (others to specification)	<b>Mounting options</b>	Pole or wall (see separate datasheets)
<b>Rotation</b>	Continuous pan or 350° rotation (+/- 175° from straight ahead)	<b>Operating temperature</b>	From -60°C to +70°C (model dependent)
<b>Analogue direct fibre out</b>	Not applicable	<b>Weight (Kg)</b>	Up to 53 Kg depending on configuration
<b>Integral IP encoder</b>	Not applicable	<b>Ingress Protection Rating</b>	IP66/67
<b>IP direct fibre out options</b>	Optional media converter, simplex singlemode 9/125µm or multimode 50/125µm, 10/100Mb Ethernet, IEEE 802.3	<b>Type approval</b>	DNVGL-CG-0339, 2016 (copper transmission only)
<b>IP over coax</b>	Optional integrated IP Ethernet-over-coax converter (must be used with compatible Rx equipment)		
<b>Camera options</b>			
<b>32x HNZ-6320 HD IP camera</b>			
<b>Image sensor</b>	Progressive scan CMOS 1/2.8"		
<b>Resolution</b>	Resolution: 1920x1080 @60fps to 320x240		
<b>Lens</b>	32x optical 32x digital zoom 4.44-142.6 mm F1.6 to F4.4, horizontal angle of view 61.8° - 2.19°		
<b>Min. illumination</b>	Colour : 0.005Lux (1/30sec, F1.6), B/W : 0.005Lux (1/30sec, F1.6)		
<b>Streaming</b>	H.264, H.265, MJPEG codec, multiple streaming, VBR/CBR		
<b>Features</b>	Intelligent video analytics, motion detection, day & night (ICR), WDR (150dB), auto focus, auto Iris, AGC, SSSDR, ATW, SSNR5, BLC, DIS, Defog		
<b>Standards protocols</b>	ONVIF Profile S, TCP/IP, UDP/IP, RTP(UDP), RTP(TCP), RTSP, NTP, HTTP, HTTPS, SSL, DHCP, PPPoE, FTP, SMTP, ICMP, IGMP, SNMPv1/v2c/v3(MIB-2), ARP, DNS, DDNS, QoS, PIM-SM, UPnP, Bonjour		
<b>30x zoom 2.1MP network camera</b>			
<b>Image Sensor</b>	Progressive scan CMOS 1/2.8"		
<b>Resolution</b>	1920x1080 30fps		
<b>Lens</b>	30x zoom 4.3-129mm F1.6 to F5.05, Angle of View 65.1° - 2.34°, 10X digital zoom, Auto Focus, Auto Iris		
<b>Min. illumination</b>	Color: 0.05Lux @ (F1.6, AGC ON) B/W: 0.01Lux @ (F1.6, AGC ON)		
<b>Streaming</b>	Dual streams in H.264 and Motion JPEG, VBR/CBR		
<b>Features</b>	BLC, AGC, AWB, WDR, DNR, OSD, Day & Night Auto/Colour / BW (IR-Cut Filter Removable)		
<b>Standards Protocols</b>	ONVIF, PSIA, CGI - TCP/IP, HTTP, DHCP, DNS, DDNS, RTP, RTSP, SMTP, NTP, UPnP, SNMP, FTP, 802.1x, QoS, HTTPS, IPV6		

# Ordering requirements

The following code is designed to help in selection of the correct unit. Build up the reference number by inserting the code for each component into the appropriate box

