

XP40 day/night IP hybrid series

Explosion proof PTZ
camera station



Overview

The Oxalis XP40 is an explosion protected PTZ camera station for use in hazardous areas in onshore, offshore, marine and heavy industrial environments.

The camera stations are designed for longevity in harsh environments with minimal maintenance.

Features

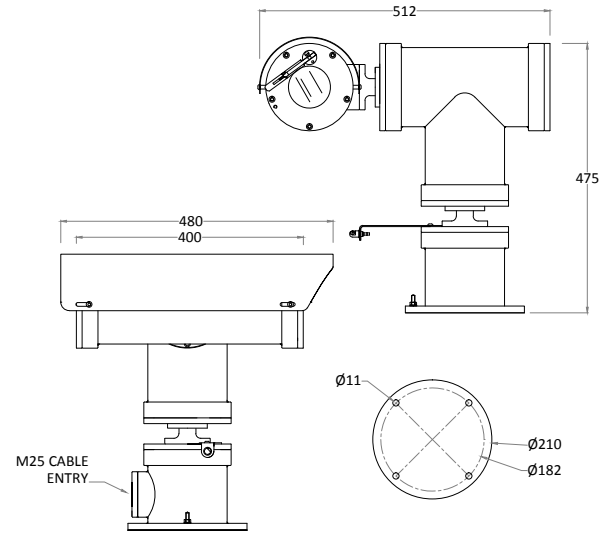
- ATEX, IECEx, Class 1 Division 1 and Zone 1 certified
 - Electro-polished 316L stainless steel on all welded assemblies
 - Camera station window in toughened glass
 - Supply voltage options (24 VAC, 110 or 230 VAC, 50/60Hz)
 - Pole or wall mounting options (see separate datasheets)
 - Operating temperature from -60°C to +60°C*
 - IP66/67
- *Model dependent



Certifications

ATEX	II 2 G Ex db (op pr) IICT4 Gb -60°C to +70°C II 2 D Ex tb (op pr) IIIC T140°C Db IP6x On Request: T5 -60°C to +65°C, T6 -60°C to +40°C On request: T135 -60°C to +65°C Certificate: ITS16ATEX101021X	cLC CSA	Ex d IICT4 (T5 On Request) LC1311396 -60°C ≤Ta ≤ +60°C. CAN CSA-C22.2 No.60079-0:2011 & 60079-1-2012 Certificate: 11396-1S-CSA
IECEX	Ex db (op pr) IICT4 Gb -60°C to +70°C Ex tb (op pr) IIIC T140°C Db IP6x On Request: T5 -60°C to +65°C, T6 -60°C to +40°C On request: T135 -60°C to +65°C Certificate: IECEX ITS 15.0068X	TR CU, EAC	1 Ex db (op pr) IICT4 Gb -60°C to +70°C Ex tb (op pr) IIIC T140°C Db IP6x On Request: T5 -60°C to +65°C, T6 -60°C to +40°C On request: T135 -60°C to +65°C Certificate: TCRUCGB.ITB04.B00587
INMETRO	Ex db (op pr) IICT4 Gb -60°C to +70°C Ex tb (op pr) IIIC T140°C Db IP6x On Request: T5 -60°C to +65°C, T6 -60°C to +40°C On request: T135 -60°C to +65°C Certificate: ULBR 17.0063X	CCOE	Ex db (op pr) IICT4 Gb -60°C to +70°C Ex tb (op pr) IIIC T140°C Db IP6x On Request: T5 -60°C to +65°C, T6 -60°C to +40°C On request: T135 -60°C to +65°C Certificate: P400546/1
LCus CI/ZI	Class 1 Zone 1 A Ex d IICT4 (T5 On Request) LC13A11396 Gb -60°C ≤Ta ≤ +60°C. UL 60079-0:2009 & 60079-1:2010 Certificate: 11396-1S-UL	CNEX	Ex db (op pr) IICT4 Gb -60°C to +70°C Ex tb (op pr) IIIC T140°C Db IP6x On Request: T5 -60°C to +65°C, T6 -60°C to +40°C On request: T135 -60°C to +65°C Certificate: 17.1235X
cLCus CI/DI	Class I, Division 1, Groups B, C, D, -60°C ≤Ta ≤ 60°C T4 Class II, Division 1, Groups E, F, G IP67 CSA-C22.2 No:30-M1986 No:25-1966(R2009) CSA-C22.2 No:60065-03(R2012) & UL1203,UL60065(ED.7) Certificate: 11671-1S (Gas) / 11677-1S (Dust)	CERTEX	Ex db (op pr) IICT4 Gb -60°C to +70°C Ex tb (op pr) IIIC T140°C Db IP6x On Request: T5 -60°C to +65°C, T6 -60°C to +40°C On request: T135 -60°C to +65°C Certificate: S-XLP/170244X

General arrangement drawing (all dimensions in mm)



Specifications

Certification part number	P&T 2420-01, housing options 2410-03, 1410-25, 1410-10
Features	
Sun shield	Standard stainless steel 316L mirror finish
Integral wiper	Optional (Silicone wiper blades that are resistant and do not perish after long exposure to ozone, UV, ice, snow, heat or cold)
Integral demister	Standard
Integral washer pump	Not applicable
Washer systems	Compatible with Oxalis XW or XWP washer tanks (see separate datasheets)
Pan speed (maximum)	45° per second
Tilt speed (maximum)	24° per second
Pre-set positional accuracy	64 presets: positional accuracy ±0.1°
Telemetry receiver	Integral - Pelco D, P standard protocols (others to specification)
Rotation	Continuous pan or 350° rotation (+/- 175° from straight ahead)
Integral IP encoder	Includes integral video encoder, H.264 / M-JPEG/MPEG-4, low latency, triple streaming, D1, 2CIF, CIF and VGA Resolution, 25fps (30fps - NTSC) for use with analogue camera modules Optional nonstandard encoder, subject to acceptance, conformity to regulation and testing
IP direct fibre out	Optional media converter, simplex singlemode 9/125µm or multimode 50/125µm, 10/100Mb Ethernet, IEEE 802.3
IP over coax	Optional integrated IP Ethernet-over-coax converter (must be used with compatible Rx equipment)
Electrical	
Supply voltage options	24 VAC, 110 or 230 VAC, 50/60Hz
Power consumption	80W maximum (143W with low temperature operation)
Electrical connections	Terminal block for power, data and video specific to camera configuration
Cable entry	Single M25 entry located in base
Mechanical	
Body material	Electro-polished 316L stainless steel on all welded assemblies
Fixings material	A4 stainless steel
Camera station window	Toughened glass
Mounting options	Pole or wall (see separate datasheets)
Operating temperature	From -60°C to +60°C (model dependent)
Weight (Kg)	Up to 53 Kg depending on configuration
Ingress Protection Rating	IP66/67
Camera options	
1/4" CCD 36x zoom camera	
Image sensor	1/4" EXview HAD CCD (progressive scan)
Resolution	High resolution mode on: 550 TV lines (default)
Lens	36x zoom 3.4-122.4 mm F1.6 to F4.5, horizontal angle of view 57.8° - 1.7°, 12X digital zoom, auto focus, auto iris
Min. illumination	1/60 s, 1/50 s mode: 1.4 Lux, 1/4 s, 1/3 s mode: 0.1 Lux, 1/4 s, 1/3 s mode & ICR On: 0.01 Lux
S/N ratio	>50dB
Features	ATW, day & night auto/colour / BW (IR-Cut filter removable), camera title ON/OFF

Ordering requirements

The following code is designed to help in selection of the correct unit. Build up the reference number by inserting the code for each component into the appropriate box

