

SP40 HD IP series - UL range

PTZ camera station,
ordinary location



Overview

The Oxalis SP40 is a PTZ camera station for use in onshore, offshore, marine and heavy industrial environments.

The camera housings are designed specifically for the Americas markets or where UL ordinary location standards have been specified.

The base unit carries dual NPT cable entries with easy access for cable termination during installation as standard, maximising compatibility and ease of use with existing installations.

Our camera stations are designed and manufactured for longevity in harsh environments, require minimal maintenance and are fully certified by UL to UL standards.

See separate datasheets for other global certification ranges.

Features

- Electro-polished 316L stainless steel on all welded assemblies
- Camera station window in toughened glass
- Pole or wall mounting options (see separate datasheets)
- NPT entries as standard
- Various camera module options
- Options also available for IP, analogue, hybrid, IP over Coax and direct fibre out* - see specific datasheet
- Supply voltage options (24 VAC, 110 or 230 VAC, 50/60Hz)
- -58°F to +158°F* operating temperature
- IP66/67

*Model dependent

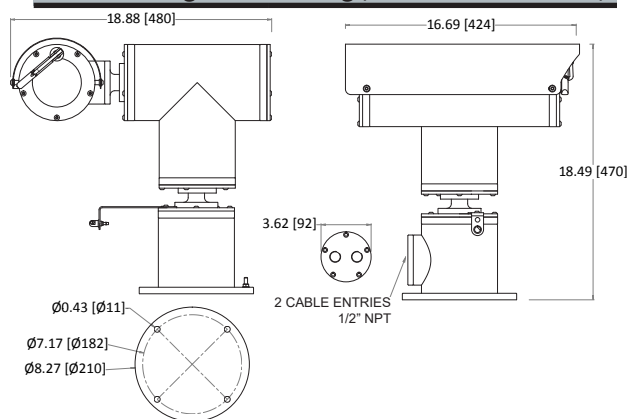
Specification

Features	
Sun shield	Standard stainless steel 316L mirror finish
Integral wiper	Optional (silicone wiper blades that are resistant and do not perish after long exposure to ozone, UV, ice, snow, heat or cold)
Integral demister	Standard
Washer systems	Compatible with Oxalis SW Washer tanks (see separate datasheets)
Pan speed (maximum)	45° per second
Tilt speed (maximum)	24° per second
Pre-set positional accuracy	64 presets: positional accuracy ±0.1°
Telemetry receiver	Integral - Pelco D standard protocol (others to specification)
Rotation	Continuous pan or 350° rotation (+/- 175° from straight ahead)
IP direct fibre out	Optional integrated media converter, Simplex/Duplex Singlemode 9/125µm or Multimode 50/125µm, 10/100Mb Ethernet, IEEE 802.3
IP over coax	Optional integrated IP ethernet-over-coax converter (must be used with compatible Rx equipment)
Type approval	DNVGL-CG-0339, 2016 (copper transmission only)
Ingress protection rating	IP66/67

Electrical	
Supply voltage options	24 VAC, 110 or 230 VAC, 50/60Hz
Power consumption	85W maximum (143W with low temperature operation)
Electrical connections	Terminal block for power, data and video specific to camera configuration
Cable entry	2 x ½" NPT located in base
Mechanical	
Body material	Electro-polished 316L stainless steel on all welded assemblies
Fixings material	A4 stainless steel
Camera station window	Toughened glass
Mounting options	Pole or wall (see separate datasheets)
Operating temperature	From -58°F to +158°F (model dependent)
Weight	Up to 75lb depending on configuration

Camera options	
30x zoom HD IP camera	20x zoom HD IP camera
Image sensor	1/2.8" Exmor CMOS
Resolution	1920x1080 @60fps to 352x240
Lens	30x zoom 4.3-129 mm F1.6 to F4.7, horizontal angle of view 67.7° - 2.3°, 12X digital zoom, auto focus, auto iris
Min. illumination	Colour ICR-Off: 0.35 Lux (1/30 Sec, 50IRE) 0.05 Lux (1/4 sec, 1/3 sec, 50IRE) B/W ICR-On: 0.013 lx (1/30 sec, 50IRE) 0.002 lx (1/4 sec, 1/3 sec, 30IRE)
Streaming	Primary: H.264, secondary x3: H.264/MJPEG, VBR/CBR
Features	AGC, AE, AWB, TDN, DNR, BLC, ACCE, DSS, WDR, EIS, defog, OSD
Standards protocols	ONVIF Profile S, PSIA - IPv4/6, TCP, UDP, HTTP, HTTPS, IGMP(Multicast), DHCP, FTP, RTP, RTSP, SNMP, SMTP, UPnP, DDNS, WS-Discovery, zero configuration
18x zoom HD IP camera	32x zoom HD IP camera
Image sensor	Progressive scan RGB CMOS 1/2.9"
Resolution	1920x1080 (HDTV 1080p) to 320x180
Lens	18x zoom 4.7-84.6 mm F1.6 to F2.8, angle of view 59° - 4°, 12X digital zoom, auto focus, auto iris
Min. illumination	Colour: 0.5 lux at 30 IRE F1.6, B/W: 0.04 lux at 30 IRE F1.6
Streaming	Multiple, individually configurable streams in H.264 and motion JPEG, VBR/CBR
Features	BLC, AGC, AWB, WDR, OSD, day & night auto/colour / BW (IR-Cut filter removable)
Standards protocols	ONVIF Profile S, IPv4/v6, HTTP, HTTPS, SSL/TLS, QoS Layer 3 DiffServ, FTP, CIFS/SMB, SMTP, Bonjour, UPnP, SNMPv1/v2c/v3 (MIB-II), DNS, DynDNS, NTP, RTSP, RTP, TCP, UDP, IGMP, RTCP, ICMP, DHCP, ARP, SOCKS
30x zoom 2.1MP network camera	
Image Sensor	Progressive scan CMOS 1/2.8"
Resolution	1920x1080 30fps
Lens	30x zoom 4.3-129mm F1.6 to F5.05, Angle of View 65.1° - 2.34°, 10X digital zoom, Auto Focus, Auto Iris
Min. Illumination	Color: 0.05Lux @ (F1.6, AGC ON) B/W: 0.01Lux @ (F1.6, AGC ON)
Streaming	Dual streams in H.264 and Motion JPEG, VBR/CBR
Features	BLC, AGC, AWB, WDR, DNR, OSD, Day & Night Auto/Colour / BW (IR-Cut Filter Removable)
Standards Protocols	ONVIF, PSIA, CGI - TCP/IP, HTTP, DHCP, DNS, DDNS, RTP, RTSP, SMTP, NTP, UPnP, SNMP, FTP, 802.1x, QoS, HTTPS, IPv6

General arrangement drawing (dimensions in inches and mm)



Ordering requirements

The following code is designed to help in selection of the correct unit. Build up the reference number by inserting the code for each component into the appropriate box

SP40

Housing type	Code
Visual camera housing	V

Wiper options	Code
Integral wiper with switched 24VAC for external washer pump	E
No wiper	N

Video type	Code
HD IP system	I

Day/night module	Code
30x zoom HD IP camera	9
18x zoom HD IP camera	B
20x zoom HD IP camera	H
32x zoom HD IP camera	D
30x zoom 2.1MP network camera	M
Customer specific camera	C

Thermal core module	Code
No thermal core	N

Thermal core lens	Code
No thermal imaging lens	N

Video system	Code
IP	I

Supply voltage	Code
24 VAC ±10% 50/60 Hz	1
110 VAC ±10% 50/60 Hz	2
230 VAC ±10% 50/60 Hz	3
Special - price on application	S

Camera rotation	Code
Continuous rotation	1
Pan rotation restriction to +/- 175°	2

Protocol requirements	Code
Pelco D protocol, baud rate 2400bps	D
Special - price on application	S

Certification	Code
UL listed	P

Temperature type	Code
-4°F to +158°F	E
-58°F to +158°F	F
-4°F to +122°F	G
-58°F to +122°F	H

Transmission type	Code
Standard electrical	0
Simplex singlemode 9/125µm ethernet	3
Simplex multimode 50/125µm ethernet	4
IP over coax	5
Duplex singlemode 9/125µm	6
Duplex Multimode 50/125µm	7
Customer specific fibre transmission device	C