

# ST40 HD IP series - UL range

PTZ camera station,  
ordinary location



## Overview

The Oxalis ST40 is a twin PTZ camera station with the addition of a high efficiency automated integral LED illuminator for use in onshore, offshore, marine and heavy industrial environments.

The camera housings are designed specifically for the Americas markets or where UL ordinary location standards have been specified.

The base unit carries dual NPT cable entries with easy access for cable termination during installation as standard, maximising compatibility and ease of use with existing installations.

Our camera stations are designed and manufactured for longevity in harsh environments, require minimal maintenance and are fully certified by UL to UL standards.

See separate datasheets for other global certification ranges.

## Features

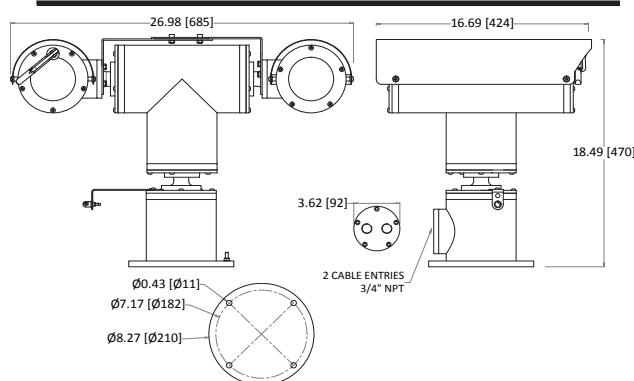
- Electro-polished 316L stainless steel on all welded assemblies
- Camera station window in toughened glass
- Pole or wall mounting options (see separate datasheets)
- NPT entries as standard
- Various camera module options
- Options also available for IP, analogue, hybrid, IP over Coax and direct fibre out\* - see specific datasheet
- Supply voltage options (24 VAC, 110 or 230 VAC, 50/60Hz)
- -58°F to +158°F\* operating temperature
- IP66/67

\*Model dependent

## Specification

Features	
<b>Sun shield</b>	Standard stainless steel 316L mirror finish
<b>Integral wiper</b>	Optional (silicone wiper blades that are resistant and do not perish after long exposure to ozone, UV, ice, snow, heat or cold)
<b>Integral demister</b>	Standard
<b>Washer systems</b>	Compatible with Oxalis SW Washer tanks (see separate datasheets)
<b>Pan speed (maximum)</b>	45° per second
<b>Tilt speed (maximum)</b>	24° per second
<b>Pre-set positional accuracy</b>	64 presets: positional accuracy ±0.1°
<b>Telemetry receiver</b>	Integral - pelco D, P standard protocols (others to specification)
<b>Rotation</b>	Continuous pan or 350° rotation (+/- 175° from straight ahead)
<b>Integral illumination</b>	IR nano-stack LED technology, internally powered from camera station, range up to 100m (depending on camera), 12° angle, 850nm wavelength. Auto switching from ambient light sensor or auxiliary command
<b>IP direct fibre out</b>	Optional integrated media converter, Simplex Singlemode 9/125µm or Multimode 50/125µm, 10/100Mb Ethernet, IEEE 802.3
<b>IP over coax</b>	Optional integrated IP ethernet-over-coax converter (must be used with compatible Rx equipment)
<b>Type approval</b>	DNVGLCG-0339, 2016 (copper transmission only)
<b>Ingress protection rating</b>	IP66/67
Electrical	
<b>Supply voltage options</b>	24 VAC, 110 or 230 VAC, 50/60Hz
<b>Power consumption</b>	100W maximum (158W with low temperature operation)
<b>Electrical connections</b>	Terminal block for power, data and video specific to camera configuration
<b>Cable entry</b>	2 x ¾" NPT located in base
Mechanical	
<b>Body material</b>	Electro-polished 316L stainless steel on all welded assemblies
<b>Fixings material</b>	A4 stainless steel
<b>Camera station window</b>	Toughened glass
<b>Mounting options</b>	Pole or wall (see separate datasheets)
<b>Operating temperature</b>	From -58°F to +158°F (model dependent)
<b>Weight (lb)</b>	Up to 95lb depending on configuration
Camera options	
30x zoom HD IP camera	
<b>Image sensor</b>	1/2.8" Exmor CMOS
<b>Resolution</b>	1920x1080 @60fps to 352x240
<b>Lens</b>	30x zoom 4.3-129 mm F1.6 to F4.7, horizontal angle of view 67.7° - 2.3°, 12X digital zoom, auto focus, auto iris
<b>Min. illumination</b>	Colour ICR-Off: 0.35 Lux(1/30 sec, 50IRE) 0.05 Lux(1/4 sec, 1/3sec, 50IRE) B/W ICR-On: 0.013 lx(1/30 sec, 50IRE) 0.002 lx (1/4 sec, 1/3 sec, 30IRE)
<b>Streaming</b>	Primary: H.264, secondary x3: H.264/MJPEG, VBR/CBR
<b>Features</b>	AGC, AE, AWB, TDN, DNR, BLC, ACCE, DSS, WDR, EIS, defog, OSD
<b>Standards protocols</b>	ONVIF Profile S, PSIA - IPv4/6, TCP, UDP, HTTP, HTTPS, IGMP(Multicast), DHCP, FTP, RTP RTSP, SNMP, SMTP, UPnP, DDNS, WS-Discovery, zero configuration
20x zoom HD IP camera	
<b>Image sensor</b>	Progressive scan CMOS 1/2.8"
<b>Resolution</b>	1920x1080 30fps
<b>Lens</b>	20x zoom 4.7-94mm F1.6 to F3.5, angle of view 61.4° - 2.9°, 10X digital zoom, auto focus, auto Iris
<b>Min. illumination</b>	Color: 0.05Lux @ (F1.6, AGC ON) B/W: 0.01Lux @ (F1.6, AGC ON)
<b>Streaming</b>	Dual streams in H.264 and motion JPEG, VBR/CBR
<b>Features</b>	BLC, AGC, AWB, WDR, DNR, OSD, day & night auto/colour / BW (IR-Cut filter removable)
<b>Standards protocols</b>	ONVIF Profile S, PSIA, CGI - TCP/IP, HTTP, DHCP, DNS, DDNS, RTP, RTSP, PPPoE, SMTP, NTP, UPnP, SNMP, FTP, 802.1x, QoS, HTTPS, IPv6
18x zoom HD IP camera	
<b>Image sensor</b>	Progressive scan RGB CMOS 1/2.9"
<b>Resolution</b>	1920x1080 (HDTV 1080p) to 320x180
<b>Lens</b>	18x zoom 4.7-84.6 mm F1.6 to F2.8, angle of view 59° - 4°, 12X digital zoom, auto focus, auto iris
<b>Min. illumination</b>	Color: 0.5 lux at 30 IRE F1.6, B/W: 0.04 lux at 30 IRE F1.6
<b>Streaming</b>	Multiple, individually configurable streams in H.264 and motion JPEG, VBR/CBR
<b>Features</b>	BLC, AGC, AWB, WDR, OSD, day & night auto/colour / BW (IR-Cut filter removable)
<b>Standards protocols</b>	ONVIF Profile S, IPv4/v6, HTTP, HTTPS, SSL/TLS, QoS Layer 3 DiffServ, FTP, CIFS/SMB, SMTP, Bonjour, UPnP, SNMPv1/v2c/v3 (MIB-II), DNS, DynDNS, NTP, RTSP, RTP, TCP, UDP, IGMP, RTCP, ICMP, DHCP, ARP, SOCKS
32x zoom HD IP camera	
<b>Image sensor</b>	Progressive scan CMOS 1/2.8"
<b>Resolution</b>	Resolution: 1920x1080 @60fps to 320x180
<b>Lens</b>	32x optical 16x digital zoom 4.44-142.6 mm F1.6 to F4.4, horizontal angle of view 62.8° - 2.23°
<b>Min. illumination</b>	Colour : 0.3Lux (1/30sec, F1.6, 50IRE), B/W : 0.03Lux (1/30sec, F1.6, 50IRE)
<b>Streaming</b>	H.264, MJPEG dual codec, multiple streaming, VBR/CBR
<b>Features</b>	Intelligent video analytics, motion detection, day & night (ICR), WDR (120dB), auto focus, auto Iris, AGC, SSDR, ATW, SSNRIII, BLC, DIS, Defog
<b>Standards protocols</b>	ONVIF Profile S, TCP/IP, UDP/IP, RTP(UDP), RTP(TCP), RTCP, RTSP, NTP, HTTP, HTTPS, SSL, DHCP, FTP, SMTP, ICMP, IGMP, SNMPv1/v2c/v3(MIB-2), ARP, DNS, DDNS, QoS, PIM-SM, UPnP, Bonjour
30x zoom 2.1MP network camera	
<b>Image Sensor</b>	Progressive scan CMOS 1/2.8"
<b>Resolution</b>	1920x1080 30fps
<b>Lens</b>	30x zoom 4.3-129mm F1.6 to F5.05, Angle of View 65.1° - 2.34°, 10X digital zoom, Auto Focus, Auto Iris
<b>Min. Illumination</b>	Color: 0.05Lux @ (F1.6, AGC ON) B/W: 0.01Lux @ (F1.6, AGC ON)
<b>Streaming</b>	Dual streams in H.264 and Motion JPEG, VBR/CBR
<b>Features</b>	BLC, AGC, AWB, WDR, DNR, OSD, Day & Night Auto/Colour / BW (IR-Cut Filter Removable)
<b>Standards Protocols</b>	ONVIF, PSIA, CGI - TCP/IP, HTTP, DHCP, DNS, DDNS, RTP, RTSP, SMTP, NTP, UPnP, SNMP, FTP, 802.1x, QoS, HTTPS, IPv6

## General arrangement drawing (dimensions in inches and mm)



# Ordering requirements

The following code is designed to help in selection of the correct unit. Build up the reference number by inserting the code for each component into the appropriate box

