

XP40 HD IP series - UL range

PTZ camera station,
hazardous location



Overview

The Oxalis XP40 is an explosion protected PTZ camera station for use in hazardous areas in onshore, offshore, marine and heavy industrial environments.

The camera housings are designed specifically for the Americas markets or where UL standards on Class and Division have been specified.

The base unit carries dual NPT cable entries with easy access for cable termination during installation as standard, maximising compatibility and ease of use with existing fixed conduit installations.

Our camera stations are designed and manufactured for longevity in harsh environments, require minimal maintenance and are fully certified to UL standards as required by OSHA in both safe and hazardous areas.

See separate datasheet for ATEX/IECEX & other zone certification ranges.

Features

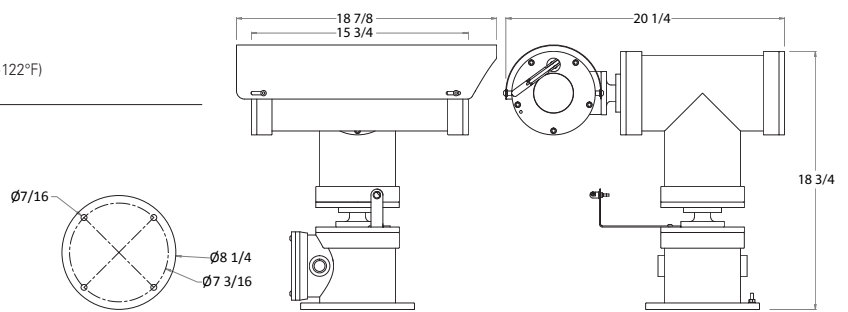
- Class 1 Division 1 and Zone 1 certified
- Electro-polished 316L stainless steel on all welded assemblies
- Camera station window in toughened glass
- Pole or wall mounting options (see separate datasheets)
- NPT entries as standard
- Various camera module options
- Options also available for IP, analogue, hybrid, IP over Coax and direct fibre out* - see specific data sheet
- Supply voltage options (24 VAC, 110 or 230 VAC, 50/60Hz)
- Certified temperature from -58°F to +158°F* (ranging from T4 - T6)
- IP66/67

*Model dependent

Certifications

UL CI/DI	Class I, Division 1, Groups B, C, D, T4+ -50°C to +70°C (-58°F to +158°F)
	Class II, Division 1, Groups E, F, G IP67
	Class 1 Zone 1 A Ex d IIB + Hydrogen T4 (T5 On Request)
	On Request: T5 -50°C to +70°C (-58°F to +158°F), T6 -50°C to +50°C (-58°F to +122°F)
UL Listing: E477542	

General arrangement drawing (dimensions in inches and mm)



Specifications

Certification part number P&T OXALIS-UL2420-01, Housing options OXALIS-UL2410-03, UL1410-25, UL1410-10

Features	Electrical
Sun shield Standard stainless steel 316L mirror finish	Supply voltage options 24 VAC, 110 or 230 VAC, 50/60Hz
Integral wiper Optional (Silicone wiper blades that are resistant and do not perish after long exposure to ozone, UV, ice, snow, heat or cold)	Power consumption 80W maximum (143W with low temperature operation)
Integral demister Standard	Electrical connections Terminal block for power, data and video specific to camera configuration
Integral washer pump Not applicable	Cable entry 2 x 3/4" NPT entries located in base
Washer systems Compatible with Oxalis XW or XWP washer tanks (see datasheets)	Mechanical
Pan speed (maximum) 45° per second	Body material Electro-polished 316L stainless steel on all welded assemblies
Tilt speed (maximum) 24° per second	Fixings material A4 stainless steel
Pre-set positional accuracy 64 presets: positional accuracy±0.1°	Camera station window Toughened glass
Telemetry receiver Integral - Pelco D standard protocol (others to specification)	Mounting options Pole or wall (see separate datasheets)
Rotation Continuous pan or 350° rotation (+/- 175° from straight ahead)	Operating temperature From -58°F to +158°F (model dependent)
Analogue direct fibre out Not applicable	Weight (lb) Up to 117lb depending on configuration
Integral IP encoder Not applicable	Ingress Protection Rating IP66/67
IP direct fibre out options Optional integrated media converter, simplex/duplex singlemode 9/125µm or multimode 50/125µm, 10/100Mb Ethernet, IEEE 802.3	Type approval DNVGL-CG-0339, 2016 (copper transmission only)
IP over coax Optional integrated IP Ethernet-over-coax converter (must be used with compatible Rx equipment)	
Camera options	
30x zoom HD IP camera	
Image sensor 1/2.8" Exmor CMOS	20x zoom HD IP camera
Resolution 1920x1080 @60fps to 352x240	Image sensor Progressive scan CMOS 1/2.8"
Lens 30x zoom 4.3-129 mm F1.6 to F4.7, horizontal angle of view 67.7° - 2.3°, 12X digital zoom, auto focus, auto Iris	Resolution 1920x1080 30fps
Min. illumination Colour ICR-Off: 0.35 Lux(1/30 Sec, 50IRE) 0.05 Lux(1/4 sec, 1/3 sec, 50IRE). B/W ICR-On: 0.013 lx (1/30 sec, 50IRE) 0.002 lx (1/4 sec, 1/3 sec, 30IRE)	Lens 20x zoom 4.7-94mm F1.6 to F3.5, angle of view 61.4° - 2.9°, 10X digital zoom, auto focus, auto Iris
Streaming Primary: H.264, secondary x3: H.264/MJPEG, VBR/CBR	Min. illumination Color: 0.05Lux @ (F1.6, AGC ON) B/W: 0.01Lux @ (F1.6, AGC ON)
Features AGC, AE, AWB, TDN, DNR, BLC, ACCE, DSS, WDR, EIS, defog, OSD	Streaming Dual streams in H.264 and motion JPEG, VBR/CBR
Standards protocols ONVIF Profile S, PSIA - IPv4/6, TCP, UDP, HTTP, HTTPS, IGMP(Multicast), DHCP, FTP, RTP, RTSP, SNMP, SMTP, UPnP, DDNS, WS-Discovery, zero configuration	Features BLC, AGC, AWB, WDR, DNR, OSD, day & night auto/colour / BW (IR-Cut filter removable)
18x zoom HD IP camera	
32x zoom HD IP camera	
Image sensor Progressive scan RGB CMOS 1/2.9"	Image sensor Progressive scan CMOS 1/2.8"
Resolution 1920x1080 (HDTV 1080p) to 320x180	Resolution Resolution: 1920x1080 @60fps to 320x180.
Lens 18x zoom 4.7-84.6 mm F1.6 to F2.8, angle of view 59° - 4°, 12X digital zoom, auto focus, auto iris	Lens 32x optical 16x digital zoom 4.44-142.6 mm F1.6 to F4.4, horizontal angle of view 62.8° - 2.23°
Min. illumination Color: 0.5 lux at 30 IRE F1.6, B/W: 0.04 lux at 30 IRE F1.6	Min. illumination Colour : 0.3Lux (1/30sec, F1.6, 50IRE), B/W : 0.03Lux (1/30sec, F1.6, 50IRE)
Streaming Multiple, individually configurable streams in H.264 and motion JPEG, VBR/CBR	Streaming H.264, MJPEG dual codec, multiple streaming, VBR/CBR
Features BLC, AGC, AWB, WDR, OSD, day & night auto/colour / BW (IR-Cut filter removable)	Features Intelligent video analytics, motion detection, day & night (ICR), WDR (120dB), auto focus, auto Iris, AGC, SSSDR, ATW, SSSNR, BLC, DIS, Defog
Standards protocols ONVIF Profile S, IPv4/v6, HTTP, HTTPS, SSL/TLS, QoS Layer 3 DiffServ, FTP, CIFS/SMB, SMTP, Bonjour, UPnP, SNMPv1/v2c/v3 (MIB-II), DNS, DynDNS, NTP, RTSP, RTP, TCP, UDP, IGMP, RTCP, ICMP, DHCP, ARP, SOCKS	Standards protocols ONVIF Profile S, TCP/IP, UDP/IP, RTP(UDP), RTP(TCP), RTCP, RTSP, NTP, HTTP, HTTPS, SSL, DHCP, FTP, SMTP, ICMP, IGMP, SNMPv1/v2c/v3(MIB-2), ARP, DNS, DDNS, QoS, PIM-SM, UPnP, Bonjour
30x zoom 2.1MP network camera	
Image Sensor Progressive scan CMOS 1/2.8"	
Resolution 1920x1080 30fps	
Lens 30x zoom 4.3-129mm F1.6 to F5.05, Angle of View 65.1° - 2.34°, 10X digital zoom, Auto Focus, Auto Iris	
Min. Illumination Color: 0.05Lux @ (F1.6, AGC ON) B/W: 0.01Lux @ (F1.6, AGC ON)	
Streaming Dual streams in H.264 and Motion JPEG, VBR/CBR	
Features BLC, AGC, AWB, WDR, DNR, OSD, Day & Night Auto/Colour / BW (IR-Cut Filter Removable)	
Standards Protocols ONVIF, PSIA, CGI - TCP/IP, HTTP, DHCP, DNS, DDNS, RTP, RTSP, SMTP, NTP, UPnP, SNMP, FTP, 802.1x, QoS, HTTPS, IPv6	

Ordering requirements

The following code is designed to help in selection of the correct unit. Build up the reference number by inserting the code for each component into the appropriate box

XP40

Housing type	Code
Visual camera housing	V

Wiper options	Code
Integral wiper with switched 24VAC for external washer pump	E
No wiper	N

Video type	Code
HD IP system	I

Day/night module	Code
30x zoom HD IP camera	9
18x zoom HD IP camera	B
20x zoom HD IP camera	H
32x zoom HD IP camera	D
30x zoom 2.1MP network camera	M
Customer specific camera	C

Thermal core module	Code
No thermal core	N

Thermal core lens	Code
No thermal imaging lens	N

Video system	Code
IP	I

Transmission type	Code
Standard electrical	0
Simplex singlemode 9/125µm ethernet	3
Simplex multimode 50/125µm ethernet	4
IP over coax	5
Duplex singlemode 9/125µm	6
Duplex Multimode 50/125µm	7
Customer specific fibre transmission device	C

Temperature type	Code
T4A -4°F to +158°F	E
T4A -58°F to +158°F	F
T6 -4°F to +122°F*	G
T6 -58°F to +122°F*	H

*Subject to restrictions

Certification	Code
UL Class I Div I	L

Protocol requirements	Code
Pelco D protocol, baud rate 2400bps	D
Special - price on application	S

Camera rotation	Code
Continuous rotation	1
Pan rotation restricted to +/- 175°	2

Supply voltage	Code
24 VAC ±10% 50/60 Hz	1
110 VAC ±10% 50/60 Hz	2
230 VAC ±10% 50/60 Hz	3
Special - price on application	S