

# XP40 HD IP series - UL range

PTZ camera station,  
hazardous location



## Overview

The Oxalis XP40 is an explosion protected PTZ camera station for use in hazardous areas in onshore, offshore, marine and heavy industrial environments.

The camera housings are designed specifically for the Americas markets or where UL standards on Class and Division have been specified.

The base unit carries dual NPT cable entries with easy access for cable termination during installation as standard, maximising compatibility and ease of use with existing fixed conduit installations.

Our camera stations are designed and manufactured for longevity in harsh environments, require minimal maintenance and are fully certified to UL standards as required by OSHA in both safe and hazardous areas.

See separate datasheet for ATEX/IECEX & other zone certification ranges.

## Features

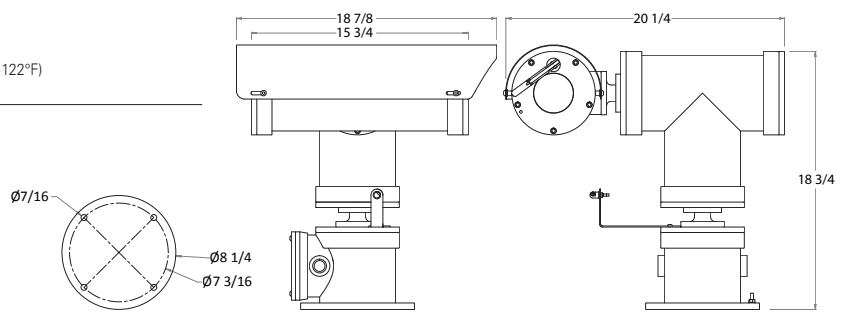
- Class 1 Division 1 and Zone 1 certified
- Electro-polished 316L stainless steel on all welded assemblies
- Camera station window in toughened glass
- Pole or wall mounting options (see separate datasheets)
- NPT entries as standard
- Various camera module options
- Options also available for IP, analogue, hybrid, IP over Coax and direct fibre out\* - see specific data sheet
- Supply voltage options (24 VAC, 110 or 230 VAC, 50/60Hz)
- Certified temperature from -58°F to +158°F\* (ranging from T4 - T6)
- IP66/67

\*Model dependent

## Certifications

UL CI/DI	Class I, Division 1, Groups B, C, D, T4+ -50°C to +70°C (-58°F to +158°F)
	Class II, Division 1, Groups E, F, G IP67
	Class 1 Zone 1 A Ex d IIB + Hydrogen T4 (T5 On Request)
	On Request: T5 -50°C to +70°C (-58°F to +158°F), T6 -50°C to +50°C (-58°F to +122°F)
UL Listing: E477542	

## General arrangement drawing (dimensions in inches and mm)



## Specifications

**Certification part number** P&T OXALIS-UL2420-01, Housing options OXALIS-UL2410-03, UL1410-25, UL1410-10

Features	Electrical
<b>Sun shield</b> Standard stainless steel 316L mirror finish	<b>Supply voltage options</b> 24 VAC, 110 or 230 VAC, 50/60Hz
<b>Integral wiper</b> Optional (Silicone wiper blades that are resistant and do not perish after long exposure to ozone, UV, ice, snow, heat or cold)	<b>Power consumption</b> 80W maximum (143W with low temperature operation)
<b>Integral demister</b> Standard	<b>Electrical connections</b> Terminal block for power, data and video specific to camera configuration
<b>Integral washer pump</b> Not applicable	<b>Cable entry</b> 2 x 3/4" NPT entries located in base
<b>Washer systems</b> Compatible with Oxalis XW or XWP washer tanks (see datasheets)	<b>Mechanical</b>
<b>Pan speed (maximum)</b> 45° per second	<b>Body material</b> Electro-polished 316L stainless steel on all welded assemblies
<b>Tilt speed (maximum)</b> 24° per second	<b>Fixings material</b> A4 stainless steel
<b>Pre-set positional accuracy</b> 64 presets: positional accuracy±0.1°	<b>Camera station window</b> Toughened glass
<b>Telemetry receiver</b> Integral - Pelco D standard protocol (others to specification)	<b>Mounting options</b> Pole or wall (see separate datasheets)
<b>Rotation</b> Continuous pan or 350° rotation (+/- 175° from straight ahead)	<b>Operating temperature</b> From -58°F to +158°F (model dependent)
<b>Analogue direct fibre out</b> Not applicable	<b>Weight (lb)</b> Up to 117lb depending on configuration
<b>Integral IP encoder</b> Not applicable	<b>Ingress Protection Rating</b> IP66/67
<b>IP direct fibre out options</b> Optional integrated media converter, simplex singlemode 9/125µm or multimode 50/125µm, 10/100Mb Ethernet, IEEE 802.3	<b>Type approval</b> DNVGL-CG-0339, 2016 (copper transmission only)
<b>IP over coax</b> Optional integrated IP Ethernet-over-coax converter (must be used with compatible Rx equipment)	
<b>Camera options</b>	
<b>30x zoom HD IP camera</b>	
<b>Image sensor</b> 1/2.8" Exmor CMOS	<b>20x zoom HD IP camera</b>
<b>Resolution</b> 1920x1080 @60fps to 352x240	<b>Image sensor</b> Progressive scan CMOS 1/2.8"
<b>Lens</b> 30x zoom 4.3-129 mm F1.6 to F4.7, horizontal angle of view 67.7° - 2.3°, 12X digital zoom, auto focus, auto Iris	<b>Resolution</b> 1920x1080 30fps
<b>Min. illumination</b> Colour ICR-Off: 0.35 Lux(1/30 Sec, 50IRE) 0.05 Lux(1/4 sec, 1/3 sec, 50IRE). B/W ICR-On: 0.013 lx (1/30 sec, 50IRE) 0.002 lx (1/4 sec, 1/3 sec, 30IRE)	<b>Lens</b> 20x zoom 4.7-94mm F1.6 to F3.5, angle of view 61.4° - 2.9°, 10X digital zoom, auto focus, auto Iris
<b>Streaming</b> Primary: H.264, secondary x3: H.264/MJPEG, VBR/CBR	<b>Min. illumination</b> Color: 0.05Lux @ (F1.6, AGC ON) B/W: 0.01Lux @ (F1.6, AGC ON)
<b>Features</b> AGC, AE, AWB, TDN, DNR, BLC, ACCE, DSS, WDR, EIS, defog, OSD	<b>Streaming</b> Dual streams in H.264 and motion JPEG, VBR/CBR
<b>Standards protocols</b> ONVIF Profile S, PSIA - IPv4/6, TCP, UDP, HTTP, HTTPS, IGMP(Multicast), DHCP, FTP, RTP, RTSP, SNMP, SMTP, UPnP, DDNS, WS-Discovery, zero configuration	<b>Features</b> BLC, AGC, AWB, WDR, DNR, OSD, day & night auto/colour / BW (IR-Cut filter removable)
<b>18x zoom HD IP camera</b>	
<b>32x zoom HD IP camera</b>	
<b>Image sensor</b> Progressive scan RGB CMOS 1/2.9"	<b>Image sensor</b> Progressive scan CMOS 1/2.8"
<b>Resolution</b> 1920x1080 (HDTV 1080p) to 320x180	<b>Resolution</b> Resolution: 1920x1080 @60fps to 320x180.
<b>Lens</b> 18x zoom 4.7-84.6 mm F1.6 to F2.8, angle of view 59° - 4°, 12X digital zoom, auto focus, auto iris	<b>Lens</b> 32x optical 16x digital zoom 4.44-142.6 mm F1.6 to F4.4, horizontal angle of view 62.8° - 2.23°
<b>Min. illumination</b> Color: 0.5 lux at 30 IRE F1.6, B/W: 0.04 lux at 30 IRE F1.6	<b>Min. illumination</b> Colour : 0.3Lux (1/30sec, F1.6, 50IRE), B/W : 0.03Lux (1/30sec, F1.6, 50IRE)
<b>Streaming</b> Multiple, individually configurable streams in H.264 and motion JPEG, VBR/CBR	<b>Streaming</b> H.264, MJPEG dual codec, multiple streaming, VBR/CBR
<b>Features</b> BLC, AGC, AWB, WDR, OSD, day & night auto/colour / BW (IR-Cut filter removable)	<b>Features</b> Intelligent video analytics, motion detection, day & night (ICR), WDR (120dB), auto focus, auto Iris, AGC, SSSDR, ATW, SSSNR, BLC, DIS, Defog
<b>Standards protocols</b> ONVIF Profile S, IPv4/v6, HTTP, HTTPS, SSL/TLS, QoS Layer 3 DiffServ, FTP, CIFS/SMB, SMTP, Bonjour, UPnP, SNMPv1/v2c/v3 (MIB-II), DNS, DynDNS, NTP, RTSP, RTP, TCP, UDP, IGMP, RTCP, ICMP, DHCP, ARP, SOCKS	<b>Standards protocols</b> ONVIF Profile S, TCP/IP, UDP/IP, RTP(UDP), RTP(TCP), RTCP, RTSP, NTP, HTTP, HTTPS, SSL, DHCP, FTP, SMTP, ICMP, IGMP, SNMPv1/v2c/v3(MIB-2), ARP, DNS, DDNS, QoS, PIM-SM, UPnP, Bonjour
<b>30x zoom 2.1MP network camera</b>	
<b>Image Sensor</b> Progressive scan CMOS 1/2.8"	
<b>Resolution</b> 1920x1080 30fps	
<b>Lens</b> 30x zoom 4.3-129mm F1.6 to F5.05, Angle of View 65.1° - 2.34°, 10X digital zoom, Auto Focus, Auto Iris	
<b>Min. Illumination</b> Color: 0.05Lux @ (F1.6, AGC ON) B/W: 0.01Lux @ (F1.6, AGC ON)	
<b>Streaming</b> Dual streams in H.264 and Motion JPEG, VBR/CBR	
<b>Features</b> BLC, AGC, AWB, WDR, DNR, OSD, Day & Night Auto/Colour / BW (IR-Cut Filter Removable)	
<b>Standards Protocols</b> ONVIF, PSIA, CGI - TCP/IP, HTTP, DHCP, DNS, DDNS, RTP, RTSP, SMTP, NTP, UPnP, SNMP, FTP, 802.1x, QoS, HTTPS, IPv6	

# Ordering requirements

The following code is designed to help in selection of the correct unit. Build up the reference number by inserting the code for each component into the appropriate box

