

XP60 HD IP series - UL range

PTZ camera station,
hazardous location



Overview

The Oxalis XP60 is an explosion protected PTZ camera station for use in hazardous areas in onshore, offshore, marine and heavy industrial environments. The large format housing allows the installation of customised equipment (subject to conformity).

The camera housings are designed specifically for the Americas markets or where UL standards on Class and Division have been specified.

The base unit carries dual NPT cable entries with easy access for cable termination during installation as standard, maximising compatibility and ease of use with existing fixed conduit installations.

Our camera stations are designed and manufactured for longevity in harsh environments, require minimal maintenance and are fully certified to UL standards as required by OSHA in both safe and hazardous areas.

See separate datasheet for ATEX/IECEX & other zone certification ranges.

Features

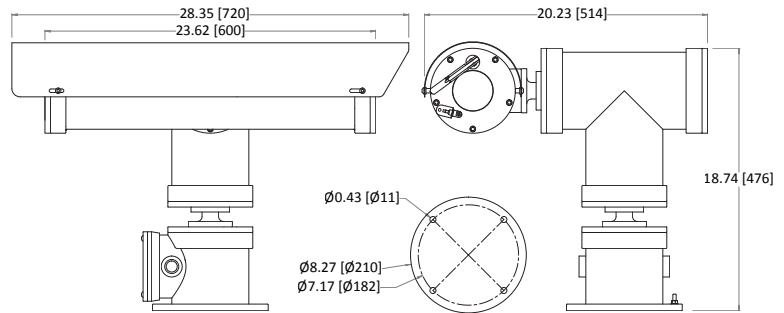
- Class 1 Division 1 and Zone 1 certified
- Electro-polished 316L stainless steel on all welded assemblies
- Camera station window in toughened glass
- Pole or wall mounting options (see separate datasheets)
- NPT entries as standard
- Various camera module options
- Options also available for IP, analogue, hybrid, IP over Coax and direct fibre out* - see specific data sheet
- Supply voltage options (24 VAC, 110 or 230 VAC, 50/60Hz)
- Certified temperature from -58°F to +158°F* (ranging from T4 - T6)
- IP66/67

*Model dependent

Certifications

UL CI/DI Class I, Division 1, Groups B, C, D, T4+ -50°C to +70°C (-58°F to +158°F)
 Class II, Division 1, Groups E, F, G IP67
 Class 1 Zone 1 A Ex d IIB + Hydrogen T4 (T5 On Request)
 On Request: T5 -50°C to +70°C (-58°F to +158°F), T6 -50°C to +50°C (-58°F to +122°F)
 UL Listing: E477542

General arrangement drawing (dimensions in inches and mm)



Specifications

Certification part number	P&T OXALIS-UL2420-01, Housing options OXALIS-UL2410-00, 2410-01, 2410-02		
Features		Electrical	
Sun shield	Standard stainless steel 316L mirror finish	Supply voltage options	24 VAC, 110 or 230 VAC, 50/60Hz
Integral wiper	Optional	Power consumption	80W Maximum (143W with low temperature operation)
Integral demister	Standard	Electrical connections	Terminal block for power and data specific to camera configuration
Integral washer pump	Optional	Cable entry	2 x 3/4" NPT located in base
Washer systems	Compatible with Oxalis XW or XWP washer tanks (see datasheets)	Mechanical	
Pan speed (maximum)	45° per second	Body material	Electro-polished 316L stainless steel on all welded assemblies for maximum corrosion protection
Tilt speed (maximum)	24° per second	Fixings material	A4 stainless steel
Pre-set positional accuracy	64 presets: positional accuracy±0.1°	Camera station window	Toughened glass
Telemetry receiver	Integral - Pelco D standard protocol (others to specification)	Mounting options	Pole or wall (see separate datasheets)
Rotation	Continuous pan or 350° rotation (+/- 175° from straight ahead)	Operating temperature	From -58°F to +158°F* (model dependent)
IP direct fibre out options	Optional integrated media converter, simplex/duplex singlemode 9/125µm or multimode 50/125µm, 10/100Mb ethernet, IEEE 802.3	Weight (lb)	Up to 126lb depending on configuration
IP over coax	Optional integrated IP ethernet-over-coax converter (must be used with compatible Rx equipment)	Type approval	DNVGL-CG-0339, 2016 (copper transmission only)
Ingress protection rating	IP66/67		
Camera options			
30x zoom HD IP camera		20x zoom HD IP camera	
Image sensor	1/2.8" Exmor CMOS	Image sensor	Progressive scan CMOS 1/2.8"
Resolution	1920x1080 @60fps to 352x240	Resolution	1920x1080 30fps
Lens	30x zoom 4.3-129 mm F1.6 to F4.7, horizontal angle of view 67.7° - 2.3°, 12X digital zoom, auto focus, auto Iris	Lens	20x zoom 4.7-94mm F1.6 to F3.5, angle of view 61.4° - 2.9°, 10X digital zoom, auto focus, auto Iris
Min. illumination	Colour ICR-Off:0.35 Lux(1/30 Sec,50IRE)0.05 Lux(1/4 sec,1/3sec, 50IRE) B/W ICR-On:0.013 lx (1/30 sec, 50IRE) 0.002 lx (1/4 sec, 1/3 sec, 30IRE)	Min. illumination	Color: 0.05Lux @ (F1.6, AGC ON) B/W: 0.01Lux @ (F1.6, AGC ON)
Streaming	Primary: H.264, secondary x3: H.264/MJPEG, VBR/CBR	Streaming	Dual streams in H.264 and motion JPEG, VBR/CBR
Features	AGC, AE, AWB, TDN, DNR, BLC, ACCE, DSS, WDR, EIS, defog, OSD	Features	BLC, AGC, AWB, WDR, DNR, OSD, day & night auto/colour / BW (IR-Cut filter removable)
Standards protocols	ONVIF Profile S, PSIA - IPv4/6, TCP, UDP, HTTP, HTTPS, IGMP(Multicast), DHCP, FTP, RTP, RTSP, SNMP, SMTP, UPnP, DDNS, WS-Discovery, zero configuration	Standards protocols	ONVIF Profile S, PSIA, CGI - TCP/IP, HTTP, DHCP, DNS, DDNS, RTP, RTSP, PPPoE, SMTP, NTP, UPnP, SNMP, FTP, 802.1x, QoS, HTTPS, IPv6
18x zoom HD IP camera		32x zoom HD IP camera	
Image sensor	Progressive scan RGB CMOS 1/2.9"	Image sensor	Progressive scan CMOS 1/2.8"
Resolution	1920x1080 (HDTV 1080p) to 320x180	Resolution	Resolution: 1920x1080 @60fps to 320x180.
Lens	18x zoom 4.7-84.6 mm F1.6 to F2.8, angle of view 59° - 4°, 12X digital zoom, auto focus, auto iris	Lens	32x optical 16x digital zoom 4.44-142.6 mm F1.6 to F4.4, horizontal angle of view 62.8° - 2.23°
Min. illumination	Color: 0.5 lux at 30 IRE F1.6, B/W: 0.04 lux at 30 IRE F1.6	Min. illumination	Colour : 0.3Lux (1/30sec, F1.6, 50IRE), B/W : 0.03Lux (1/30sec, F1.6, 50IRE)
Streaming	Multiple, individually configurable streams in H.264 and motion JPEG, VBR/CBR	Streaming	H.264, MJPEG dual codec, multiple streaming, VBR/CBR
Features	BLC, AGC, AWB, WDR, OSD, day & night auto/colour / BW (IR-Cut filter removable)	Features	Intelligent video analytics, motion detection, day & night (ICR), WDR (120dB), auto focus, auto Iris, AGC, SSDR, ATW, SSNR/III, BLC, DIS, Defog
Standards protocols	ONVIF Profile S, IPv4/v6, HTTP, HTTPS, SSL/TLS, QoS Layer 3 DiffServ, FTP, CIFS/SMB, SMTP, Bonjour, UPnP, SNMPv1/v2c/v3 (MIB-II), DNS, DynDNS, NTP, RTSP, RTP, TCP, UDP, IGMP, RTCP, ICMP, DHCP, ARP, SOCKS	Standards protocols	ONVIF Profile S, TCP/IP, UDP/IP, RTPI(UDP), RTP(TCP), RTCP, RTSP, NTP, HTTP, HTTPS, SSL, DHCP, FTP, SMTP, ICMP, IGMP, SNMPv1/v2c/v3(MIB-2), ARP, DNS, DDNS, QoS, PIM-SM, UPnP, Bonjour
30x zoom 2.1MP network camera			
Image Sensor	Progressive scan CMOS 1/2.8"		
Resolution	1920x1080 30fps		
Lens	30x zoom 4.3-129mm F1.6 to F5.05, Angle of View 65.1° - 2.34°, 10X digital zoom, Auto Focus, Auto Iris		
Min. illumination	Color: 0.05Lux @ (F1.6, AGC ON) B/W: 0.01Lux @ (F1.6, AGC ON)		
Streaming	Dual streams in H.264 and Motion JPEG, VBR/CBR		
Features	BLC, AGC, AWB, WDR, DNR, OSD, Day & Night Auto/Colour / BW (IR-Cut Filter Removable)		
Standards Protocols	ONVIF, PSIA, CGI - TCP/IP, HTTP, DHCP, DNS, DDNS, RTP, RTSP, SMTP, NTP, UPnP, SNMP, FTP, 802.1x, QoS, HTTPS, IPv6		

Ordering requirements

The following code is designed to help in selection of the correct unit. Build up the reference number by inserting the code for each component into the appropriate box

XP60

Housing type	Code
Visual camera housing	V
Visual camera housing with integral washer pump	P

Wiper options	Code
Integral wiper with switched 24VAC for external washer pump	E
Integral wiper	W
No wiper	N

Video type	Code
HD IP system	I

Day/night module	Code
30x zoom HD IP camera	9
18x zoom HD IP camera	B
20x zoom HD IP camera	H
32x zoom HD IP camera	D
30x zoom 2.1MP network camera	M
Customer specific camera	C

Thermal core module	Code
No thermal core	N

Thermal core lens	Code
No thermal imaging lens	N

Video system	Code
IP	I

Transmission type	Code
Standard electrical	0
Simplex singlemode 9/125µm ethernet	3
Simplex multimode 50/125µm ethernet	4
IP over coax	5
Duplex singlemode 9/125µm	6
Duplex Multimode 50/125µm	7
Customer specific fibre transmission device	C

Temperature type	Code
T4A -4°F to +158°F	E
T4A -58°F to +158°F	F
T6 -4°F to +122°F*	G
T6 -58°F to +122°F*	H

*Subject to restrictions

Certification	Code
UL Class I Div I	L

Protocol requirements	Code
Pelco D protocol, baud rate 2400bps	D
Special - price on application	S

Camera rotation	Code
Continuous rotation	1
Pan rotation restricted to +/- 175°	2

Supply voltage	Code
24 VAC ±10% 50/60 Hz	1
110 VAC ±10% 50/60 Hz	2
230 VAC ±10% 50/60 Hz	3
Special - price on application	S