

SM87HXB 5 joule xenon strobe range

UL hazardous & ordinary locations



Overview

These certified strobes have been designed for use in harsh environmental conditions.

The stainless steel or marine grade alloy enclosures are suitable for use offshore or onshore, where lightweight combined with corrosion resistance and strength is required.

Units can be painted to customer specification and fitted with identification labels.

A high temperature unit is available which is ideal for harsh environments.

European, Russian, Chinese and other worldwide approvals are available, refer to main section of catalogue.

Features

- UL listed for USA and Canada
Class I, Div. 1, Groups C & D
Class I, Zone 1, AExd IIB
- CSA certified
- ATEX approved
- Xenon
- IP66 & 67
- Certified temperature:
-67°F to +158°F
-55°C to +70°C
- High temperature unit (up to 185°F/85°C) available
- 4 wire monitored connection
- 24 & 48V d.c
- 110, 120, 240 & 254V a.c
- Various lens colours
- Optional lens guard



Certifications

UL	Listing No. E187894. Class I, Div. 1. Groups C & D and Class I, Zone 1
CSA	Certified to C22.2, Nos. 0, 0.4, 0.5, 9, 30-M 1986, 94-M91, 137-M 1981 Class 1, Div 1, Group D, Type 4, Cert. No. 96406

Specifications

Material	Grade 316 ANC4B stainless steel or LM25 TF marine grade alloy Lens – toughened glass
Finish	Epoxy paint finish as standard or to customer specification
Weight	Alloy 4.4lb/2.0kg. approx Stainless steel 8.4lb/3.8kg
Certified temp	Standard unit SM87 HXB -67°F to +158°F, -55°C to +70°C High temperature unit -67°F to +185°F, -55°C to +85°C
Ingress protection	IP66 & 67
Entries	Up to 4 off ½" or ¾" NPT
Terminals	6 off suitable for up to 14AWG conductor size
Labels	Duty/tag labels optional

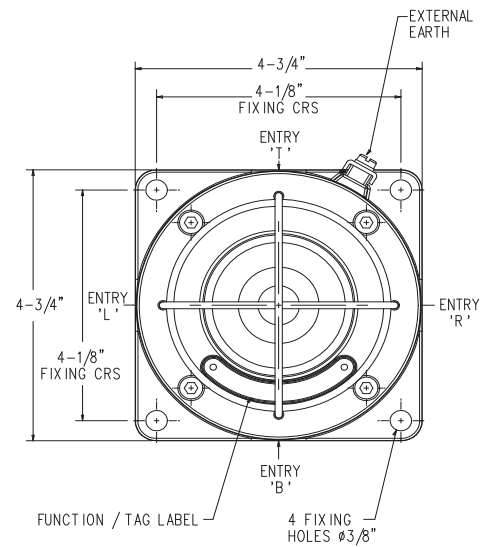
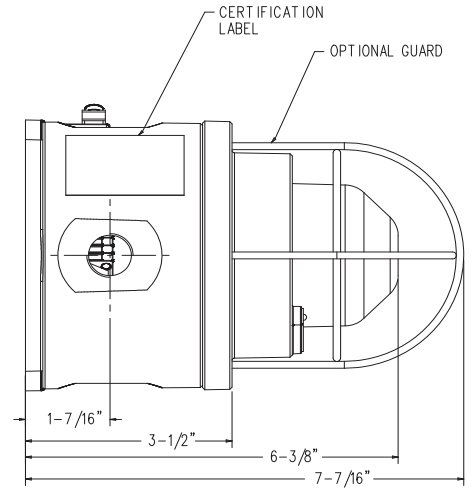
	d.c.		a.c. 50/60Hz			
	24	48	110	120	240	254
Voltage	24	48	110	120	240	254
Tube energy (Joules)	5	5	6	7	7	8
Peak current consumption (mA)	393	175	250	275	135	153
Effective intensity (Cd)	29	29	32	39	39	44
Peak intensity (Cd)	22213	22213	25061	30187	30187	34174

NOTE: The above figures (Cd) are for a clear lens @ 1Hz flash rate

Multiplying factor for coloured lenses					
Red	Blue	Amber	Green	Yellow	
0.15	0.12	0.51	0.49	0.86	

The photometric data given above has been verified by BSI. Reports are available if required

General arrangement drawing (all dimensions in inches)



Ordering requirements

The following code is designed to help in selection of the correct unit. Build up the reference number by inserting the code for each component into the appropriate box

Model	Certification	Voltage	Lens colour	Guard	Entries	Label	Options	Finish																																																																																										
SM87HXB							N																																																																																											
<table border="1"> <tr><th>Model</th><th>Code</th></tr> <tr><td>Xenon (stainless steel)</td><td>SM87HXBS*</td></tr> <tr><td>Xenon strobe, alloy</td><td>SM87HXBA</td></tr> <tr><td>Xenon strobe, high temperature, alloy</td><td>SM87XBTA</td></tr> </table> <p>SM87 XBTA only available UL listed and 24V d.c. *Not available UL listed</p>	Model	Code	Xenon (stainless steel)	SM87HXBS*	Xenon strobe, alloy	SM87HXBA	Xenon strobe, high temperature, alloy	SM87XBTA	<table border="1"> <tr><th>Certification</th><th>Code</th></tr> <tr><td>UL</td><td>UL</td></tr> <tr><td>CSA</td><td>C</td></tr> </table>	Certification	Code	UL	UL	CSA	C	<table border="1"> <tr><th>Voltage</th><th>Code</th></tr> <tr><td>24V d.c.</td><td>024</td></tr> <tr><td>48V d.c.</td><td>048</td></tr> <tr><td>110V a.c.</td><td>110</td></tr> <tr><td>120V a.c.</td><td>120</td></tr> <tr><td>240V a.c.</td><td>240</td></tr> <tr><td>254V a.c.</td><td>254</td></tr> </table>	Voltage	Code	24V d.c.	024	48V d.c.	048	110V a.c.	110	120V a.c.	120	240V a.c.	240	254V a.c.	254	<table border="1"> <tr><th>Lens colour</th><th>Code</th></tr> <tr><td>Red</td><td>R</td></tr> <tr><td>Blue</td><td>B</td></tr> <tr><td>Green</td><td>G</td></tr> <tr><td>Amber</td><td>A</td></tr> <tr><td>Yellow</td><td>Y</td></tr> <tr><td>Clear</td><td>C</td></tr> </table>	Lens colour	Code	Red	R	Blue	B	Green	G	Amber	A	Yellow	Y	Clear	C	<table border="1"> <tr><th>Guard</th><th>Code</th></tr> <tr><td>None</td><td>N</td></tr> <tr><td>Yes</td><td>Y</td></tr> </table>	Guard	Code	None	N	Yes	Y	<table border="1"> <tr><th>Entries</th><th>Code</th></tr> <tr><td>½" NPT</td><td>3</td></tr> <tr><td>¾" NPT</td><td>4</td></tr> <tr><td>Top</td><td>*T</td></tr> <tr><td>Bottom</td><td>*B</td></tr> <tr><td>RHS</td><td>*R</td></tr> <tr><td>LHS</td><td>*L</td></tr> </table> <p>*Prefix position with entry size code</p>	Entries	Code	½" NPT	3	¾" NPT	4	Top	*T	Bottom	*B	RHS	*R	LHS	*L	<table border="1"> <tr><th>Label</th><th>Code</th></tr> <tr><td>None</td><td>N</td></tr> <tr><td>Yes</td><td>Y*</td></tr> </table> <p>*Please specify wording</p>	Label	Code	None	N	Yes	Y*	<table border="1"> <tr><th>Options</th><th>Code</th></tr> <tr><td>None</td><td>N</td></tr> </table>	Options	Code	None	N	<table border="1"> <tr><th>Finish</th><th>Code</th></tr> <tr><td>Natural black</td><td>N</td></tr> <tr><td>Red</td><td>R</td></tr> <tr><td>Blue</td><td>B</td></tr> <tr><td>Yellow</td><td>Y</td></tr> <tr><td>Yellow/black stripes</td><td>X</td></tr> <tr><td>Gray</td><td>G</td></tr> <tr><td>White</td><td>W</td></tr> <tr><td>Special</td><td>S*</td></tr> </table> <p>*Please specify</p>	Finish	Code	Natural black	N	Red	R	Blue	B	Yellow	Y	Yellow/black stripes	X	Gray	G	White	W	Special	S*
Model	Code																																																																																																	
Xenon (stainless steel)	SM87HXBS*																																																																																																	
Xenon strobe, alloy	SM87HXBA																																																																																																	
Xenon strobe, high temperature, alloy	SM87XBTA																																																																																																	
Certification	Code																																																																																																	
UL	UL																																																																																																	
CSA	C																																																																																																	
Voltage	Code																																																																																																	
24V d.c.	024																																																																																																	
48V d.c.	048																																																																																																	
110V a.c.	110																																																																																																	
120V a.c.	120																																																																																																	
240V a.c.	240																																																																																																	
254V a.c.	254																																																																																																	
Lens colour	Code																																																																																																	
Red	R																																																																																																	
Blue	B																																																																																																	
Green	G																																																																																																	
Amber	A																																																																																																	
Yellow	Y																																																																																																	
Clear	C																																																																																																	
Guard	Code																																																																																																	
None	N																																																																																																	
Yes	Y																																																																																																	
Entries	Code																																																																																																	
½" NPT	3																																																																																																	
¾" NPT	4																																																																																																	
Top	*T																																																																																																	
Bottom	*B																																																																																																	
RHS	*R																																																																																																	
LHS	*L																																																																																																	
Label	Code																																																																																																	
None	N																																																																																																	
Yes	Y*																																																																																																	
Options	Code																																																																																																	
None	N																																																																																																	
Finish	Code																																																																																																	
Natural black	N																																																																																																	
Red	R																																																																																																	
Blue	B																																																																																																	
Yellow	Y																																																																																																	
Yellow/black stripes	X																																																																																																	
Gray	G																																																																																																	
White	W																																																																																																	
Special	S*																																																																																																	

To order ATEX approved version, see European datasheet