

BG3 range manual call point

Intrinsically safe (Exia), weatherproof



Overview

This manual fire alarm call point has been designed in accordance with the latest draft European Call Point Standard (EN54-11). Weatherproof to IP66 and IP67 and available certified intrinsically safe, simple apparatus or uncertified. The units are manufactured from glass reinforced polyester (GRP) which provides a robust, corrosion free construction and ensures effective and reliable operation in harsh industrial and offshore environments.

Units are supplied in natural red GRP or painted to customer specification. 'Burning House' duty label is provided as standard, other duty and tag labels may be supplied to customer specification.

Features

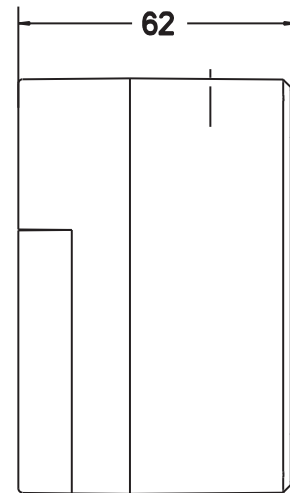
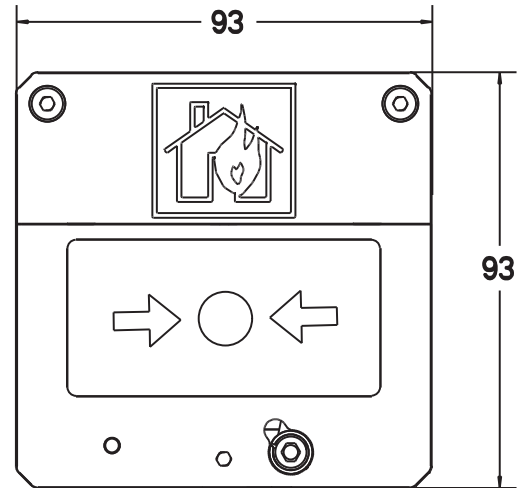
- Zone 0, Zone 1 and Zone 2 use
- Exia IIC T4
- ATEX Approved Ex II 1 G
- BASEEFA certified
- Designed in accordance with EN54-11
- IP66 and IP67
- Certified temperature: -55°C to +55°C
- Corrosion free GRP
- Optional in line/end of line resistors/diodes
- Optional LED indicator
- Optional lift flap
- Key operated test facility
- Various body colours available



Certification and specification

BG3I	
Protection	Explosion protected Exi dust-tight & weatherproof (intrinsically safe)
Certification	CENELEC EN50014, 020 BASEEFA Exia IIC T4 Cert No. BAS00ATEX1067X Suitable for use in Zones 0, 1 & 2
Voltage	Up to 28V (IS)
Certified temperature	-55°C to +55°C
Ingress protection	IP66 & IP67
Terminals	6 x 4.0mm ²
Switch ratings	Not applicable
Resistor values	470R minimum
LED indication	A high intensity red LED can be fitted as an optional extra to indicate operation on all 24V systems As standard the LED is not provided with over current protection. The forward current (If) should be limited to 20mA
Cable entries	2 x M20 top or bottom
Weight	0.5Kg
Material	UV resistant glass reinforced polyester
Finish	Natural red GRP or painted GRP to customer requirements
Duty/tag labels	Stainless steel as standard
BG3W	
Protection	Dust-tight & weatherproof
Certification	Not applicable
Voltage	Up to 250V a.c
Certified temperature	Not applicable
Ingress protection	IP66 & IP67
Terminals	6 x 4.0mm ²
Switch ratings	d.c. 0V - 30V 3A resistive or inductive 30V - 50V 1A resistive or inductive a.c. 0 - 250V 3A resistive or inductive
Resistor values	270R minimum
LED indication	A high intensity red LED can be fitted as an optional extra to indicate operation on all 24V systems As standard the LED is not provided with over current protection. The forward current (If) should be limited to 20mA
Cable entries	2 x M20 top or bottom
Weight	0.5Kg
Material	UV resistant glass reinforced polyester
Finish	Natural red GRP or painted GRP to customer requirements
Duty/tag labels	Plastic as standard

General arrangement drawing (all dimensions in mm)



Ordering requirements

The following code is designed to help in selection of the correct unit. Build up the reference number by inserting the code for each component into the appropriate box

Model	Certification	Labels	Options	Entries	Finish																																																																				
BG3																																																																									
	<table border="1"> <thead> <tr> <th>Certification</th> <th>Code</th> </tr> </thead> <tbody> <tr> <td>Weatherproof</td> <td>W</td> </tr> <tr> <td>Exia</td> <td>I</td> </tr> </tbody> </table>	Certification	Code	Weatherproof	W	Exia	I	<table border="1"> <thead> <tr> <th>Options</th> <th>Code</th> </tr> </thead> <tbody> <tr> <td>None</td> <td>N</td> </tr> <tr> <td>Resistor series</td> <td>S*</td> </tr> <tr> <td>Resistor EOL</td> <td>E*</td> </tr> <tr> <td>Diode</td> <td>D</td> </tr> <tr> <td>Polycarbonate lift flap</td> <td>F</td> </tr> <tr> <td>Stainless steel lift flap</td> <td>C</td> </tr> <tr> <td>LED</td> <td>L</td> </tr> <tr> <td>Double changeover</td> <td>T</td> </tr> <tr> <td>Plastic element (replaces break glass)</td> <td>P</td> </tr> </tbody> </table> <p>* Please specify</p>	Options	Code	None	N	Resistor series	S*	Resistor EOL	E*	Diode	D	Polycarbonate lift flap	F	Stainless steel lift flap	C	LED	L	Double changeover	T	Plastic element (replaces break glass)	P	<table border="1"> <thead> <tr> <th>Finish</th> <th>Code</th> </tr> </thead> <tbody> <tr> <td>Natural red</td> <td>R</td> </tr> <tr> <td>Blue</td> <td>B</td> </tr> <tr> <td>Green</td> <td>G</td> </tr> <tr> <td>White</td> <td>W</td> </tr> <tr> <td>Yellow</td> <td>Y</td> </tr> <tr> <td>Special</td> <td>S*</td> </tr> </tbody> </table> <p>* Please specify</p>	Finish	Code	Natural red	R	Blue	B	Green	G	White	W	Yellow	Y	Special	S*	<table border="1"> <thead> <tr> <th>Label</th> <th>Code</th> </tr> </thead> <tbody> <tr> <td>Glass label</td> <td></td> </tr> <tr> <td>Fire break glass 'press here'</td> <td>1</td> </tr> <tr> <td>Break glass 'press here'</td> <td>2</td> </tr> <tr> <td>Special</td> <td>3*</td> </tr> <tr> <td>European standard</td> <td>4</td> </tr> <tr> <td colspan="2">-----</td> </tr> <tr> <td>Duty label (special)</td> <td>5*</td> </tr> <tr> <td>Burning house as standard</td> <td></td> </tr> <tr> <td colspan="2">-----</td> </tr> <tr> <td>Tag label</td> <td>6*</td> </tr> </tbody> </table> <p>*Specify wording</p>	Label	Code	Glass label		Fire break glass 'press here'	1	Break glass 'press here'	2	Special	3*	European standard	4	-----		Duty label (special)	5*	Burning house as standard		-----		Tag label	6*	<table border="1"> <thead> <tr> <th>Entries</th> <th>Code</th> </tr> </thead> <tbody> <tr> <td>2 x M20 (bottom)</td> <td>B</td> </tr> <tr> <td>2 x M20 (top)</td> <td>T</td> </tr> </tbody> </table> <p>For blanking plugs add "P" to code. e.g. BP, 2 x M20 bottom entries with one blanking plug</p>	Entries	Code	2 x M20 (bottom)	B	2 x M20 (top)	T
Certification	Code																																																																								
Weatherproof	W																																																																								
Exia	I																																																																								
Options	Code																																																																								
None	N																																																																								
Resistor series	S*																																																																								
Resistor EOL	E*																																																																								
Diode	D																																																																								
Polycarbonate lift flap	F																																																																								
Stainless steel lift flap	C																																																																								
LED	L																																																																								
Double changeover	T																																																																								
Plastic element (replaces break glass)	P																																																																								
Finish	Code																																																																								
Natural red	R																																																																								
Blue	B																																																																								
Green	G																																																																								
White	W																																																																								
Yellow	Y																																																																								
Special	S*																																																																								
Label	Code																																																																								
Glass label																																																																									
Fire break glass 'press here'	1																																																																								
Break glass 'press here'	2																																																																								
Special	3*																																																																								
European standard	4																																																																								

Duty label (special)	5*																																																																								
Burning house as standard																																																																									

Tag label	6*																																																																								
Entries	Code																																																																								
2 x M20 (bottom)	B																																																																								
2 x M20 (top)	T																																																																								