

FB4 steady beacon range

Ex d(e), weatherproof



Overview

These certified steady beacons have been designed for use in flammable atmospheres and harsh environmental conditions. The marine grade alloy or stainless steel enclosures are suitable for use offshore or onshore, where lightweight combined with corrosion resistance and strength is required. Units can be painted to customer specification and fitted with identification labels.

Stainless steel, one of the most durable materials available on the market, is both hard wearing and corrosion resistant, increasing the life of products in harsh environments and therefore reducing maintenance costs.

Features

- Zone 1 and Zone 2 use
- Ex de IIC T4/T5
- ATEX approved Ex II 2GD
- IECEx certified Gb, Db
- TR CU certified
- Certified temperature -55°C to +70°C*
- IP66 and IP67
- Filament lamps supplied
- Corrosion resistant
- Optional Ex e chamber
- Ex de version has gland earth continuity in the GRP terminal chamber
- Optional lens guard
- Tapered spigot flamepath
- Retained cover screws

*model dependant



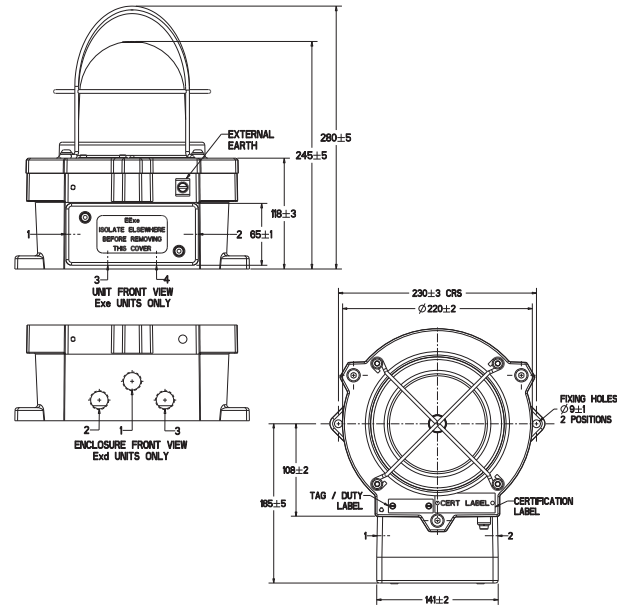
Certifications

FB4 ATEX Ex d	Cert. no. Baseefa 04ATEX0224X Certified to: EN60079-0, EN60079-1, EN60079-31 Ex II 2GD Ex d IIC T4/T5 Gb, Ex tb IIIC T100°C/T135°C Db
FB4 ATEX Ex de	Ex II 2GD Ex de IIC Ex tD A21 IP6X T135°C
FB4 IECEx Ex d	Cert. no. IECEx BAS 10.0078X Certified to: IEC60079-0, IEC60079-1, IEC60079-31 Ex d IIC T4/T5 Gb, Ex tb IIIC T85°C/T100°C/Db
FB4 TR CU Ex d	1Ex d IIC T4/T5 Gb, Ex tb IIIC T100°C/T135°C

Specifications

Models	FB4 – 60 Watt GLS filament lamps. E27 holder as standard
Material	LM25TF marine grade alloy body Grade 316 ANC4B stainless steel body Glass reinforced polyester (GRP) terminal chamber Toughened wellglass
Finish	Grey epoxy paint finish as standard or to customer's specification
Voltage	24V 48V 110V d.c., 110V 120V 220V 240V 254V a.c. ± 10% 50/60hz
Lamps	FB4 units are supplied with lamps
Certified temp	FB4 = -55°C to +70°C (Ex d) FB4 = -50°C to +55°C (Ex de)
Weight	FB4 (Ex d) 6.4 Kg FB4 (Ex de) 7.4 Kg The above are for alloy versions. Add 8.4 Kg for stainless steel
Ingress protection	IP66 and IP67
Entries	Up to 3 x M20 or 2 x M25 in Ex d unit Up to 4 x M20 or 4 x M25 in Ex de unit

General arrangement drawing (all dimensions in mm)



Terminals	Ex de: 6 off suitable for up to 6mm ² cable or 10 off suitable for up to 2.5mm ² cable Ex d: 8 off suitable for up to 6mm ² cable
------------------	---

Temperature ratings

Unit type	Wattage	T class	Min. amb	Max. amb
FB4 Ex d	60	T4/T135°C	-55°C	70°C
		T5/T100°C	-55°C	30°C
FB4 Ex de	60	T135°C	-50°C	55°C

Ordering requirements

The following code is designed to help in selection of the correct unit. Build up the reference number by inserting the code for each component into the appropriate box

Model	Voltage	Certification	Terminals	Entries	Lamp wattage	Lens	Lens guard	Options	Material	Finish																																																																																										
FB4																																																																																																				
	<table border="1"> <tr><th>Voltage</th><th>Code</th></tr> <tr><td>24Vdc</td><td>B</td></tr> <tr><td>48Vdc</td><td>C</td></tr> <tr><td>110Vdc</td><td>D</td></tr> <tr><td>110Vac</td><td>E</td></tr> <tr><td>120Vac</td><td>F</td></tr> <tr><td>220Vac</td><td>G</td></tr> <tr><td>240Vac</td><td>H</td></tr> <tr><td>254Vac</td><td>J</td></tr> </table>	Voltage	Code	24Vdc	B	48Vdc	C	110Vdc	D	110Vac	E	120Vac	F	220Vac	G	240Vac	H	254Vac	J	<table border="1"> <tr><th>Certification</th><th>Code</th></tr> <tr><td>ATEX</td><td>B</td></tr> <tr><td>IECEX</td><td>J</td></tr> <tr><td>TR CU</td><td>G</td></tr> </table>	Certification	Code	ATEX	B	IECEX	J	TR CU	G	<table border="1"> <tr><th>Type</th><th>Code</th></tr> <tr><td>6 x 6mm² (Exe)</td><td>6E*</td></tr> <tr><td>8 x 6mm² (Exd)</td><td>8D</td></tr> </table> <p>*Not available TR CU or IECEx certified</p>	Type	Code	6 x 6mm ² (Exe)	6E*	8 x 6mm ² (Exd)	8D	<table border="1"> <tr><th>Entries</th><th>Code</th></tr> <tr><td>M20</td><td>B*</td></tr> <tr><td>M25</td><td>C*</td></tr> </table> <p>*Prefix entry size (see diagram above) with entry position code e.g 2B3B</p>	Entries	Code	M20	B*	M25	C*	<table border="1"> <tr><th>Wattage</th><th>Code</th></tr> <tr><td>FB4 60W</td><td>60</td></tr> </table>	Wattage	Code	FB4 60W	60	<table border="1"> <tr><th>Colour</th><th>Code</th></tr> <tr><td>Clear</td><td>C</td></tr> <tr><td>Red</td><td>R</td></tr> <tr><td>Blue</td><td>B</td></tr> <tr><td>Green</td><td>G</td></tr> <tr><td>Yellow</td><td>Y</td></tr> <tr><td>Amber</td><td>A</td></tr> </table>	Colour	Code	Clear	C	Red	R	Blue	B	Green	G	Yellow	Y	Amber	A	<table border="1"> <tr><th>Guard</th><th>Code</th></tr> <tr><td>None</td><td>0</td></tr> <tr><td>Guard</td><td>1</td></tr> </table>	Guard	Code	None	0	Guard	1	<table border="1"> <tr><th>Option</th><th>Code</th></tr> <tr><td>None</td><td>N</td></tr> <tr><td>Duty</td><td>D*</td></tr> <tr><td>Tag</td><td>T*</td></tr> </table> <p>*Please specify</p>	Option	Code	None	N	Duty	D*	Tag	T*	<table border="1"> <tr><th>Material</th><th>Code</th></tr> <tr><td>Stainless steel</td><td>0</td></tr> <tr><td>Alloy</td><td>1</td></tr> </table>	Material	Code	Stainless steel	0	Alloy	1	<table border="1"> <tr><th>Finish</th><th>Code</th></tr> <tr><td>Grey</td><td>G</td></tr> <tr><td>Red</td><td>R</td></tr> <tr><td>Blue</td><td>B</td></tr> <tr><td>Yellow</td><td>Y</td></tr> <tr><td>White</td><td>W</td></tr> <tr><td>Special</td><td>S*</td></tr> </table> <p>*Please specify</p>	Finish	Code	Grey	G	Red	R	Blue	B	Yellow	Y	White	W	Special	S*
Voltage	Code																																																																																																			
24Vdc	B																																																																																																			
48Vdc	C																																																																																																			
110Vdc	D																																																																																																			
110Vac	E																																																																																																			
120Vac	F																																																																																																			
220Vac	G																																																																																																			
240Vac	H																																																																																																			
254Vac	J																																																																																																			
Certification	Code																																																																																																			
ATEX	B																																																																																																			
IECEX	J																																																																																																			
TR CU	G																																																																																																			
Type	Code																																																																																																			
6 x 6mm ² (Exe)	6E*																																																																																																			
8 x 6mm ² (Exd)	8D																																																																																																			
Entries	Code																																																																																																			
M20	B*																																																																																																			
M25	C*																																																																																																			
Wattage	Code																																																																																																			
FB4 60W	60																																																																																																			
Colour	Code																																																																																																			
Clear	C																																																																																																			
Red	R																																																																																																			
Blue	B																																																																																																			
Green	G																																																																																																			
Yellow	Y																																																																																																			
Amber	A																																																																																																			
Guard	Code																																																																																																			
None	0																																																																																																			
Guard	1																																																																																																			
Option	Code																																																																																																			
None	N																																																																																																			
Duty	D*																																																																																																			
Tag	T*																																																																																																			
Material	Code																																																																																																			
Stainless steel	0																																																																																																			
Alloy	1																																																																																																			
Finish	Code																																																																																																			
Grey	G																																																																																																			
Red	R																																																																																																			
Blue	B																																																																																																			
Yellow	Y																																																																																																			
White	W																																																																																																			
Special	S*																																																																																																			