

JB10 & JB11 junction boxes range

Ex e - increased safety
& weatherproof



Overview

These GRP terminal boxes have been designed for use in hazardous and hostile environments.

The robust design, coupled with corrosion-free GRP and high ingress protection, ensure a long life, low maintenance product.

Features

- Zone 1 & 2 use
- Exe II T4/T5/T6
- ATEX approved Ex II 2G
- IECEx certified Gb
- UL certified for USA and Canada:
 - Class I, Div 2, Groups A,B,C,D
 - Class I, Zone 1, AExe IIC, Ex e IIC
- IP66 & IP67
- Certified temperature from -50°C to +55°C
- GRP
- Lightweight
- Robust
- Corrosion free
- Retained cover screws
- Optional gland continuity plate
- Optional internal conductive coating
- Variety of colours available
- Mixed rail mounted terminals



Certifications

ATEX	Cert. no. Baseefa 12ATEX0039X Certified to: EN60079-0, EN60079-7 Ex II 2G, Ex e IIC T4/T5/T6 Gb
IECEX	Cert. no. IECEX BAS 12.0029X Certified to: IEC 60079-0, IEC 60079-7 Ex e IIC T4/T5/T6 Gb
UL	Cert No. E237592 Class I, Div. 2, Groups A, B, C & D Class I, Zone 1, AEx e IIC, Ex e IIC

Specifications

Material	Glass reinforced polyester (anti-static) stainless steel cover screws
Finish	Natural black or painted to customer's specification
Certified temp	-50°C to +55°C
Weight	JB10, 1.1 Kg. JB11, 1.8 Kg
Ingress protection	IP66 and IP67
Gland continuity	Via an internal BZP (bright zinc plated) steel plate

Terminal type/size	Max no. of terminal		Earth terminal	Max voltage (V)	Max current (A)	T rating at +55°C (+40°C)
	JB10	JB11				
SAK2.5	10	16	EK4	550	15	T4 (T6)
SAK4	9	15	EK4	550	21	T4
SAK4	8	13	EK4	275	28	T4
SAK6N	7	12	EK4	550	26	T4
SAK10	5	9	EK10	550	37	T4
SAK16	-	7	EK16	550	47	T4
AKZ2.5	11	19	AKE2.5	60	15	T4 (T6)
UK2.5N	9	15	USLKG5N	550	15	T4 (T6)
UK5N	7	14	USLKG5N	418	21	T4
UK10N	4	9	USLKG10N	550	37	T4
UK16N	3	7	USLKG16N	550	47	T4
MK6/6	6	6	Internal earth stud	418*	26	T5
BK4	4	-	Internal earth stud	275	21	T5
BK6	6	-	Internal earth stud	275	21	T5

*275V if fitted with QB2 or QB4 cross connection links

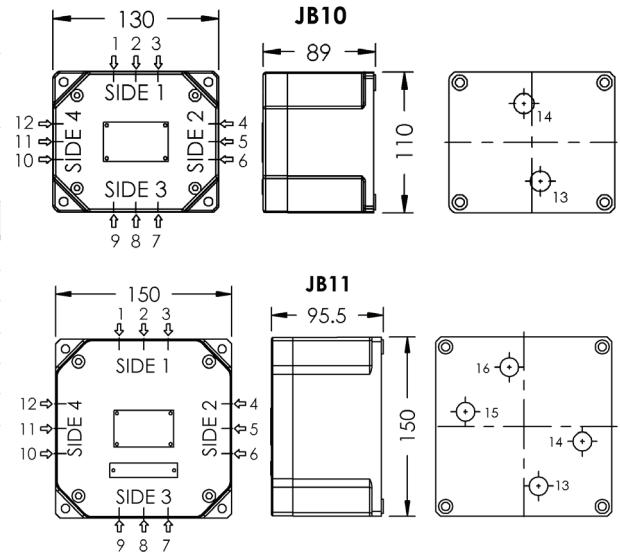
All junction boxes will be supplied with an internal earth terminal appropriate to the terminals fitted.
If more than one internal earth terminal is required the maximum number of feed-through terminals must be reduced.

Ordering requirements

The following code is designed to help in selection of the correct unit. Build up the reference number by inserting the code for each component into the appropriate box

Model	Certification	Terminals	Earth continuity	Gland continuity	Side cable entries	Tag/label	Option	Finish																																																																																																		
JB10 JB11	<table border="1"> <tr><th>Certification</th><th>Code</th></tr> <tr><td>ATEX</td><td>B</td></tr> <tr><td>IECEX</td><td>J</td></tr> <tr><td>UL</td><td>UL</td></tr> </table>	Certification	Code	ATEX	B	IECEX	J	UL	UL	<table border="1"> <tr><th>Type</th><th>Code</th></tr> <tr><td>SAK 2.5</td><td>A*†</td></tr> <tr><td>SAK 4</td><td>B*†</td></tr> <tr><td>SAK 6N</td><td>C*†</td></tr> <tr><td>SAK 10</td><td>D*†</td></tr> <tr><td>SAK 16</td><td>E*†</td></tr> <tr><td>MK6/6</td><td>J*</td></tr> <tr><td>BK6</td><td>K*</td></tr> <tr><td>UK 2.5N</td><td>L*</td></tr> <tr><td>UK 5N</td><td>M*</td></tr> <tr><td>UK 10N</td><td>N*</td></tr> <tr><td>UK 16N</td><td>O*</td></tr> <tr><td>AKZ 2.5</td><td>P*†</td></tr> <tr><td>SAKK 4</td><td>Q*†</td></tr> <tr><td>BK4</td><td>R*</td></tr> </table>	Type	Code	SAK 2.5	A*†	SAK 4	B*†	SAK 6N	C*†	SAK 10	D*†	SAK 16	E*†	MK6/6	J*	BK6	K*	UK 2.5N	L*	UK 5N	M*	UK 10N	N*	UK 16N	O*	AKZ 2.5	P*†	SAKK 4	Q*†	BK4	R*	<table border="1"> <tr><th>Continuity</th><th>Code</th></tr> <tr><td>None</td><td>N</td></tr> <tr><td>Yes</td><td>E</td></tr> </table> <p>*Gland continuity 'E' must be selected when Ext Earth 'R' or 'S' is required</p>	Continuity	Code	None	N	Yes	E	<table border="1"> <tr><th>Type</th><th>Code</th></tr> <tr><td>None</td><td>N</td></tr> <tr><td>ES0001(6mm² cable max)</td><td>R*</td></tr> <tr><td>ES0003(16mm² cable max)</td><td>S*</td></tr> </table> <p>*Suffix with side, e.g.: R1 ES0001 x side 1</p>	Type	Code	None	N	ES0001(6mm ² cable max)	R*	ES0003(16mm ² cable max)	S*	<table border="1"> <tr><th>Entries</th><th>Code</th></tr> <tr><td>None</td><td>N</td></tr> <tr><td>M16</td><td>*A</td></tr> <tr><td>M20</td><td>*B</td></tr> <tr><td>M25</td><td>*C</td></tr> <tr><td>M32</td><td>*D</td></tr> <tr><td>1/2" NPT</td><td>†M</td></tr> <tr><td>3/4" NPT</td><td>†O</td></tr> </table> <p>*Prefix with cable entry position (see diagram above) e.g. 1B, 2B †UL version supplied with adaptor</p>	Entries	Code	None	N	M16	*A	M20	*B	M25	*C	M32	*D	1/2" NPT	†M	3/4" NPT	†O	<table border="1"> <tr><th>Label</th><th>Code</th></tr> <tr><td>None</td><td>N</td></tr> <tr><td>Yes</td><td>T*</td></tr> </table> <p>*Please specify</p>	Label	Code	None	N	Yes	T*	<table border="1"> <tr><th>Option</th><th>Code</th></tr> <tr><td>None</td><td>N</td></tr> <tr><td>Extra internal earth</td><td>W*</td></tr> <tr><td>Cover entry</td><td>X*</td></tr> <tr><td>Base entry</td><td>Y*</td></tr> <tr><td>Counterbored side entries</td><td>Z*</td></tr> <tr><td>Internal conductive coating</td><td>C</td></tr> </table> <p>*Please discuss your requirements with MEDC application engineers prior to ordering</p>	Option	Code	None	N	Extra internal earth	W*	Cover entry	X*	Base entry	Y*	Counterbored side entries	Z*	Internal conductive coating	C	<table border="1"> <tr><th>Finish</th><th>Code</th></tr> <tr><td>Natural black</td><td>N</td></tr> <tr><td>Red</td><td>R</td></tr> <tr><td>Blue</td><td>B</td></tr> <tr><td>Special</td><td>S*</td></tr> </table> <p>*Please specify</p>	Finish	Code	Natural black	N	Red	R	Blue	B	Special	S*
Certification	Code																																																																																																									
ATEX	B																																																																																																									
IECEX	J																																																																																																									
UL	UL																																																																																																									
Type	Code																																																																																																									
SAK 2.5	A*†																																																																																																									
SAK 4	B*†																																																																																																									
SAK 6N	C*†																																																																																																									
SAK 10	D*†																																																																																																									
SAK 16	E*†																																																																																																									
MK6/6	J*																																																																																																									
BK6	K*																																																																																																									
UK 2.5N	L*																																																																																																									
UK 5N	M*																																																																																																									
UK 10N	N*																																																																																																									
UK 16N	O*																																																																																																									
AKZ 2.5	P*†																																																																																																									
SAKK 4	Q*†																																																																																																									
BK4	R*																																																																																																									
Continuity	Code																																																																																																									
None	N																																																																																																									
Yes	E																																																																																																									
Type	Code																																																																																																									
None	N																																																																																																									
ES0001(6mm ² cable max)	R*																																																																																																									
ES0003(16mm ² cable max)	S*																																																																																																									
Entries	Code																																																																																																									
None	N																																																																																																									
M16	*A																																																																																																									
M20	*B																																																																																																									
M25	*C																																																																																																									
M32	*D																																																																																																									
1/2" NPT	†M																																																																																																									
3/4" NPT	†O																																																																																																									
Label	Code																																																																																																									
None	N																																																																																																									
Yes	T*																																																																																																									
Option	Code																																																																																																									
None	N																																																																																																									
Extra internal earth	W*																																																																																																									
Cover entry	X*																																																																																																									
Base entry	Y*																																																																																																									
Counterbored side entries	Z*																																																																																																									
Internal conductive coating	C																																																																																																									
Finish	Code																																																																																																									
Natural black	N																																																																																																									
Red	R																																																																																																									
Blue	B																																																																																																									
Special	S*																																																																																																									

General arrangement drawing (all dimensions in mm)



JB10 gland details

Gland entries	Maximum no. of gland entries sides 1 & 3	Maximum no. of gland entries sides 2 & 4		Maximum no. gland entries (base)
	With or without earth continuity	With earth continuity	Without earth continuity	With or without earth continuity
M16	2	2	2	2
M20	2	1	2	2
M25	2	1	1	N/A
M32	1	1	1	N/A

JB11 gland details

Gland entries	Maximum no. of gland entries per side with or without earth continuity	Maximum no. of gland entries (base) with or without earth continuity
M16	2	4
M20	2	4
M25	2	N/A
M32	1	N/A