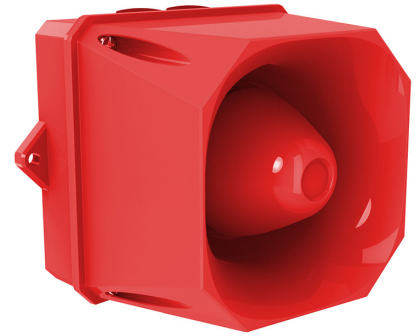


# X10 Midi sounder

## Weatherproof



### Overview

The X10 Midi sounder is an industrial signaling alarm, available in 4 fade resistant body colours, and high and low voltage variants. It is certified to IP66 and IP69K, and verified to operate at extreme temperatures -40°C to 70°C, and is therefore suitable for use in harsh conditions where a robust industrial sounder is required. The X10 Midi sounder comes with an Eaton 10 year Extended Warranty and offers up to 110 dB(A) with 102 tones, and a versatile 4 stage alarm to allow you to retrofit to an existing installation.

### Features

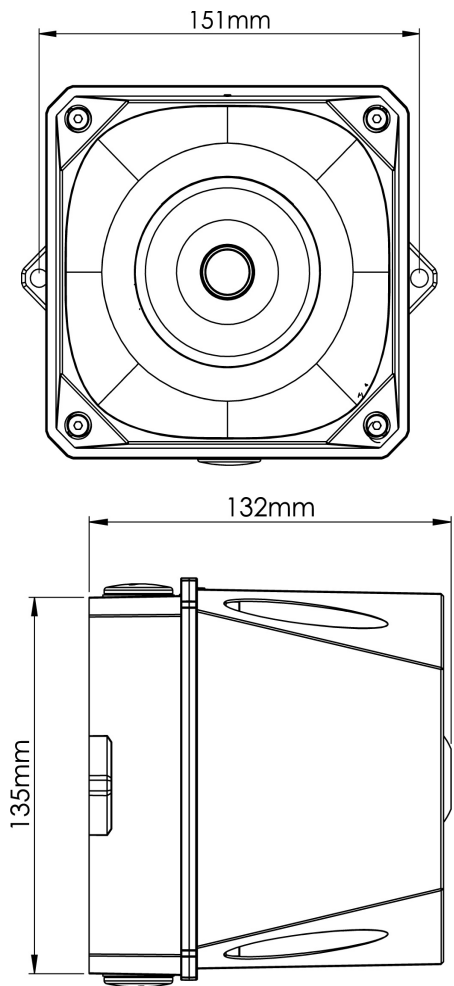
- 110dB(A) output
- Dual IP rated to IP66 and IP69K and IK08 impact resistant.
- 10 year warranty\*\*
- 102 tones facilitates both new installations and retrofits, accommodating a wide range of Industry requirements
- 4 fade resistant housing colours available
- Up to 4 stage alarm, with multiple alert and control possibilities for both AC and DC variants
- Temperature range -40°C to +70°C
- Captive salt water resistant stainless steel fasteners
- M20 pre drilled threaded cable entries fitted with IP69K blanking plugs as standard
- UV stabilised polycarbonate ASA
- Low inrush current with a range of dB(A) outputs

\* Supply current range is based on variation of the supply voltage. A change in tone or volume settings will also impact the supply current.

\*\* Terms and Conditions apply

Specifications				
	Low voltage DC / AC product		AC Mains product	
Rated voltage	10V - 60V DC	10V - 30V AC	115V AC	230V AC
Sounder only* (DIN Tone, High Vol)	35 - 100 mA	75 - 150 mA	69 mA	34 mA
Sound output	110dB			
Alarm tones	102			
Alarm stages	4			
Stage control options	+ve low voltage trigger		Dry /0 volt contact trigger	
	-ve low voltage trigger			
	+ve supply voltage trigger			
	-ve supply voltage trigger			
	Reverse polarity trigger			
Operating temperature	-40°C to +70°C			
Ingress Protection (IP) rating	IP66 and IP69K (dust ingress/high pressure water jets)			
Warranty	10 years**			
Material	UV stabilised polycarbonate ASA			
Colour - housing	Red			
	Dark grey (Light grey and white available on request)			
Cable entry	Top: 2 x M20 threaded cable entries			
	Bottom: 1 x M20 threaded cable entry			
Connecting terminals	Up to 2.5mm <sup>2</sup>			
Weight	2.395kg (AC Mains); 1.830kg (Low voltage DC / AC)			

## General arrangement drawing (all dimensions in mm)



## Ordering requirements

The following code is designed to help in selection of the correct unit. Build up the reference number by inserting the code for each component into the appropriate box

Part number	Size	Body	Voltage	
FHF21532213	Midi	Red body	10-60 VAC-DC	Low Voltage
FHF21532207	Midi	Red body	115/230 VAC	High Voltage
FHF21532813	Midi	Dark Grey body	10-60 VAC-DC	Low Voltage
FHF21532807	Midi	Dark Grey body	115/230 VAC	High Voltage