

Weatherproof telephone ResistTel MB

Comfortable telephone for rough
environmental conditions



Overview

ResistTel stands for: telephony under rough environmental conditions with the highest degree of safety in industrial areas.

Our telephone is resistant to seawater as well as alkali, acids and lubricants. The housing made of GRP is impact-resistant. The V4A stainless steel keypad withstands high stresses and protects the inner parts of the telephone. The steel-armoured handset cord is designed for high tensile strain.

With some interesting additional functions and options the ResistTel MB provides a variety of possibilities for special applications.

The ResistTel MB offers an easy and intuitive operation right from the first use, whatever the situation or ambient conditions are. Even a handling with gloves is no problem.

Three direct call keys offer a quick call e.g. of emergency numbers. The keys may be freely programmed according to the user's requirements.

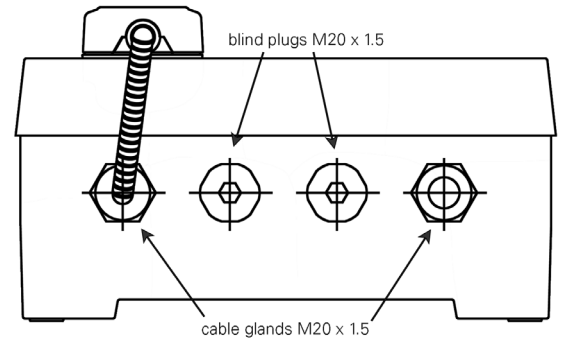
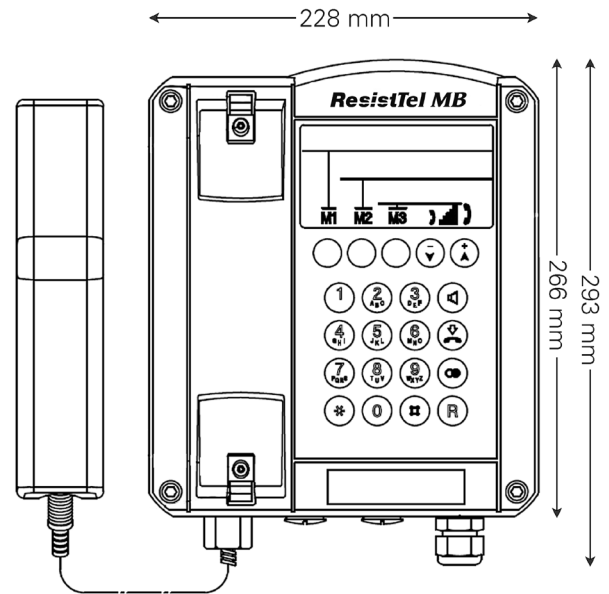
Features

- 3 direct call keys (freely programmable)
- Hands-free operation
- Amplified listening in 7 steps, 0-12 db(A)
- Telephone book
- IP 66 according to EN 60529
- V4A stainless steel keypad
- GRP housing

Specifications

Supply voltage	24 VDC to 66 VDC
Supply current	15 mA to 100 mA
Ringling alternating current	24 VAC to 90 VAC (at 21...54 Hz ringing frequency) 30 VAC to 90 VAC (at 16.6...54 Hz ringing frequency)
Ring tone impedance	Greater than 6.0 K Ω at 25 Hz and 24...90 VAC. Greater than 4.0 K Ω at 50 Hz and 24...90 VAC
Inquiry key	Flash function may be set to 80 ms, 120 ms, 600 ms
Dialling procedure	PD-DTMF operation to be set in the menu. PD operation where the pulse/pause ratio can be set to 1.5:1 or 2:1 in the menu
W-conductor	Connection for external secondary sounder
Connection terminals	Up to 4 mm ² rigid, Up to 2.5 mm ² flexible
Housing	
Material	Glass fibre reinforced polyester
Height x width x depth	Approx. 266 mm x 228 mm x 135 mm
Weight	Approx. 5.5 kg
Keypad	Metal keypad with ice protection 21 keys with ABC lettering for name entries incl. 3 direct call keys (freely programmable)
Receiver	
Stabilisation bracket	Integrated, adjustable stabilisation bracket
Handset cord	Stainless steel armoured cord
Earpiece	Dynamic capsule with stray field coil for inductive coupling of hearing aids
Mouthpiece	Electret microphone
Noise suppression	Greater than 3 dB due to integrated horn mouth.
Environmental conditions	
Protection class	IP 66 according to EN60529
Impact protection	IK 09 according to EN50102
Operating temperature	-25 °C to +60 °C
Storage temperature	-25 °C to +70 °C
Further characteristics	
Ringling volume	Approx. 90 dB(A) in 1 m distance
Ring tones	10 sounds available
Listening by loudspeaker	Maximum volume approx. 70 dB(A) in 1 m distance
Handsfree operation	Maximum volume approx. 70 dB(A) in 1 m distance
Amplified listening in receiver	Receiver volume may be set from 0 dB(A) to +12 dB(A), in 7 steps

General arrangement drawing (all dimensions in mm)



Accessories



Headset



Additional earpiece



Loudspeaker set



TWIN



Protection hood



Secondary sounder

Ordering data

* The full article number for the TWIN is made up by appending the colour code to the article numbers given below.

Type	Designation	Model	Article number
ResistTel MB	Weatherproof Telephone	black	FHF 112 643 01
Accessories			
	Additional Earpiece		FHF 112 643 03
	Headset		FHF 112 643 04
	Loudspeaker Set		FHF 112 643 05
	Secondary Sounder		FHF 211 101 05
	TWIN		FHF 118 832 ..*
	Telephone Hood Model 404	galvanized steel, yellow	FHF 118 901 01
	Telephone Hood Model 404	V4A stainless steel	FHF 118 901 11
	Telephone Hood Model 404	synthetic material, orange	FHF 118 901 12
	Telephone Hood Model 404	synthetic material, yellow	FHF 118 901 13
	Telephone Hood Model 404	galvanized steel, red	FHF 118 901 14
	Telephone Hood Model 404	synthetic material, red	FHF 118 901 15
	Telephone Hood Model 404	GRP yellow	FHF 118 901 22
	Telephone Hood Model 404	GRP, orange	FHF 118 901 23
	Floor mounting console for Model 404	yellow	FHF 118 901 03

transparent	01
red	02
amber	03
green	04
blue	05

The ResistTel MB is certified to DNV.

Accessories are not available as DNV variants.