

Exe, Weatherproof



Features

- Zones 1,2,21 and safe area.
- Exed IIC T6.
- ATEX approved Ex II 2GD.
- PTB Certified.
- CSA Listed for USA and Canada.†
Class I, Div 2, Groups A-D.
- IP65/66*.
- Certified temperature: -20°C to +40°C*.
- Impact resistant thermoplastic.
- Retained stainless steel cover screws.
- Variety of components.
- Variety of enclosures.

*Depending on version.

†Please contact MEDC Technical Sales.

Introduction

This range of control stations, intended for use in potentially explosive atmospheres, is suitable for use in all gas groups.

These rugged enclosures are manufactured from a UV stable, impact resistant polyamide; cover fixing screws are stainless steel thus ensuring a corrosion-free product.

The GHG 411 range comprises a 1,2 and 3 way unit offering a compact footprint. The GHG 432 and 434 ranges are 2 and 4 way units with larger termination area for heavy duty offshore cable.

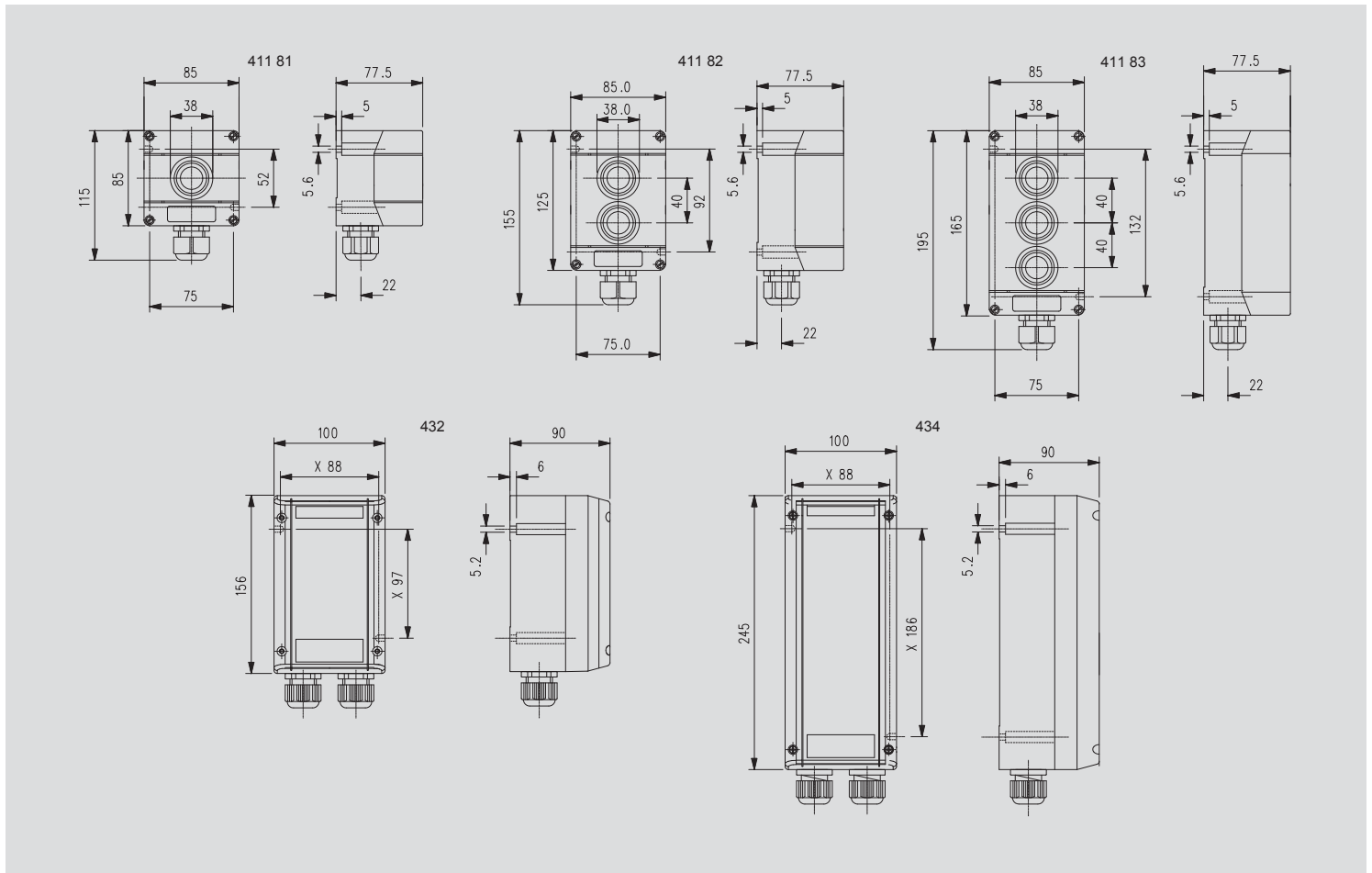
The high ingress protection rating makes this range of control stations suitable for use in harsh environmental conditions.



Certification and Specification

Certification:	CENELEC EN60079 Certificate No. PTB 00 ATEX 3117. Exed IIC T6. Zones 1 & 2. CSA Listed for USA and Canada. †
Material:	Impact resistant thermoplastic, anti-static enclosure with stainless steel cover screws.
Finish:	Self coloured black.
Signal Lamps:	Available in two voltage ranges: Universal voltage 20V-250V AC/DC (current consumption 4-15mA). Low voltage 12V-30V AC/DC (maximum current consumption 24mA). Lamp colours available: white, yellow, red, blue, green.
Certified Temp:	-55°C to +50°C. Versions with switch -55°C to +45°C. (ATEX version). See separate US data sheet for CSA operating temperatures.
Weight:	From 0.5kg to 1.3kg (411 Range). From 0.8kg to 1.6kg (432 & 434 Range).
Ingress Protection:	IP66 (IP65 for double pushbutton).
Entries:	411 Range. 1 x 20mm entry bottom as standard. 2 x 20mm entries on bottom face available via brass gland continuity plate. 432 & 434 Range. 2 x 20mm entries in bottom as standard (one blanking plug as standard).
Multi-way units:	Enclosures can be coupled together. Please contact sales office.

Actuator Types:	Spring return pushbutton, mushroom head emergency stop, mushroom head momentary, double pushbutton, key operated switches, mini control switch and rotary switches.
Termination:	2.5mm ² max. direct to components. Alternatively pre-wired to a 6 way terminal block accepting up to 4mm ² conductors. Max voltage rating 400V.
Relay Initiate:	Available on all versions – operates with 24V d.c. initiate supplies only.
Function Labelling:	Each cover component can have a function label as extra.
Labels:	Duty or tag labels are self adhesive.
Options/accessories:	Lift flap, function label, terminal block, potentiometer, duty/tag labels. Contact sales office to order.



Typical configurations: 411 81 range

Built-in components	Weight Approx	Order No.*
1 x pushbutton, 1NO + 1NC, label: O, I, START, STOP	0.40kg	GHG 411 8195 R0001
1 x mushroom head latching, 1NO + 1NC, "Emergency stop"	0.45kg	GHG 411 8195 R0002
1 x mushroom head latching, with key release, 1NO + 1NC, "Emergency stop"	0.50kg	GHG 411 8195 R0012
1 x double pushbutton, 1NO + 1 NC, label: O, I, START, STOP	0.45kg	GHG 411 8195 R0009
1 x key operated switch, 2NO I - O - II	0.52kg	GHG 411 8195 R0018
1 x control switch, 1 x change-over, label: HAND-AUTO	0.45kg	GHG 411 8195 R0003
label: O - I	0.45kg	GHG 411 8195 R0004
label: I - II	0.45kg	GHG 411 8195 R0005
1 x control switch, 2 NO, label: HAND - O - AUTO	0.45kg	GHG 411 8195 R0006
label: I - O - II	0.45kg	GHG 411 8195 R0007
label: Local Remote Auto	0.45kg	GHG 411 8195 R0008

*Note: Ordering codes are for ATEX compliant units only – for CSA listed units contact sales office.



411 81...01



411 81...18



411 81...12



411 81...04

Typical configurations: 411 82 range

Built-in components	Weight Approx	Order No.*
2 x pushbutton, 1NO + 1NC each, label: O, I, START, STOP	0.54kg	GHG 411 8295 R0001
1 x signal lamp, 20-254V AC/DC, lens cover: white, red, green, yellow	0.65kg	GHG 411 8295 R0003
1 x double pushbutton, 1NO + 1NC, label: O, I, START, STOP	0.57kg	GHG 411 8295 R0016
1 x mushroom head latching, 1NO + 1NC, "Emergency stop"	0.57kg	GHG 411 8295 R0017
1 x control switch, 1 x change-over, label: O - I	0.57kg	GHG 411 8295 R0017
1 x mushroom head latching, 1NO + 1NC, "Emergency stop"	0.65kg	GHG 411 8295 R0008
1 x signal lamp, 20-254V AC/DC, lens cover: white, red, green, yellow,	0.65kg	GHG 411 8295 R0008
1 x key operated switch, 2 NO, label: I - O - II		

*Note: Ordering codes are for ATEX compliant units only – for CSA listed units contact sales office.



411 82...01



411 82...03



411 82...17



411 82...18

Typical configurations: 411 83 range

Built-in components	Weight Approx	Order No.*
1 x signal lamp, 20-254V AC/DC, lens cover: white, red, green, yellow	0.76kg	GHG 411 8395 R0001
2 x pushbutton, 1NO + 1NC each, label: O, I, START, STOP	0.80kg	GHG 411 8395 R0003
1 x signal lamp, 20-254V AC/DC, lens cover: white, red, green, yellow	0.80kg	GHG 411 8395 R0003
1 x double pushbutton, 1NO + 1NC, label: O, I, START, STOP		
1 x mushroom head latching, 1NO + 1NC, "Emergency stop"		

*Note: Ordering codes are for ATEX compliant units only – for CSA listed units contact sales office.



411 83...01



411 83...03

Typical configurations: 432 range

Built-in components	Weight Approx	Order No.*
2 x pushbutton, 1NO + 1NC each, label: O, I, START, STOP	0.85kg	GHG 432 0095 R0001
1 x signal lamp, 20-254V AC/DC, lens cover; white, red, green, yellow 1 x double pushbutton, 1NO + 1NC, label: O, I, START, STOP	0.90kg	GHG 432 0095 R0002
1 x double pushbutton, 1NO + 1NC, label: O, I, START, STOP 1 x mushroom head latching, 1NO + 1NC, "Emergency stop"	0.85kg	GHG 432 0095 R0003

*Note: Ordering codes are for ATEX compliant units only – for CSA listed units contact sales office.



432...01



432...02



432...03

Typical configurations: 434 range

Built-in components	Weight Approx	Order No.*
1 x signal lamp, 20-254V AC/DC, lens cover; white, red, green, yellow 2 x pushbutton, 1NO + 1NC each, label: O, I, START, STOP 1 x mushroom head latching, 1NO + 1NC, "Emergency stop"	1.45kg	GHG 434 1195 R0004
2 x signal lamp, 20-254V AC/DC, lens cover; white, red, green, yellow 2 x double pushbutton, 1NO + 1NC each, label: O, I, START, STOP	1.45kg	GHG 434 1195 R0005
1 x signal lamp, 20-254V AC/DC, lens cover; white, red, green, yellow 1 x double pushbutton, 1NO + 1NC, label: O, I, START, STOP 1 x mushroom head latching, 1NO + 1NC, "Emergency stop" 1 x key operated switch, 2NO, label: I - O - II	1.55kg	GHG 434 1195 R0009

*Note: Ordering codes are for ATEX compliant units only – for CSA listed units contact sales office.



434...04



434...05



434...09

Ordering Requirements Please contact MEDC to discuss your requirements.